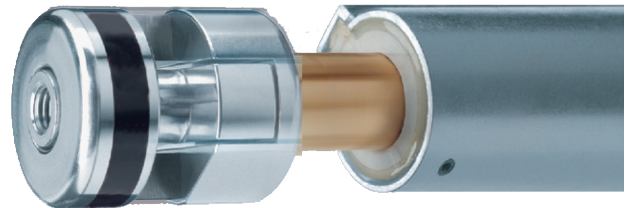
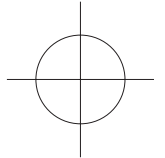


LINEAR MOTION CONTROL PRODUCTS

User Manual



Linear Coupling LC70, LC150, LC300, LC500, LC800, and LC2000

In accordance with Nexen's established policy of constant product improvement, the specifications contained in this manual are subject to change without notice. Technical data listed in this manual are based on the latest information available at the time of printing and are also subject to change without notice.

Technical Support: 800-843-7445
(651) 484-5900

www.nexengroup.com



DANGER

Read this manual carefully before installation and operation.

Follow Nexen's instructions and integrate this unit into your system with care.

This unit should be installed, operated and maintained by qualified personnel ONLY.

Improper installation can damage your system or cause injury or death.

Comply with all applicable codes.

Nexen Group, Inc.
560 Oak Grove Parkway
Vadnais Heights, Minnesota 55127

ISO 9001 Certified

Copyright 2005 Nexen Group, Inc.

Product Specifications

Material:

Coupling components are made of high-strength aluminum. Spring elements are made of a special spring steel.

Structure:

Input Side: Internal Metric Thread

Output Side: External Metric Thread

The connection between the input and output side of the coupling is via two sets of backlash free leaf-springs systems.

Temperature Range:

-30 to +120° C [3.6 to 270° F]

Backlash:

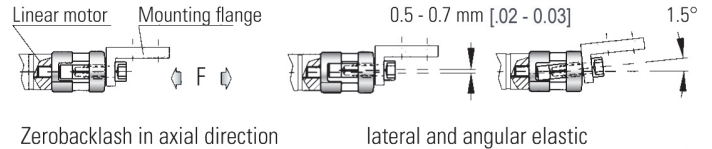
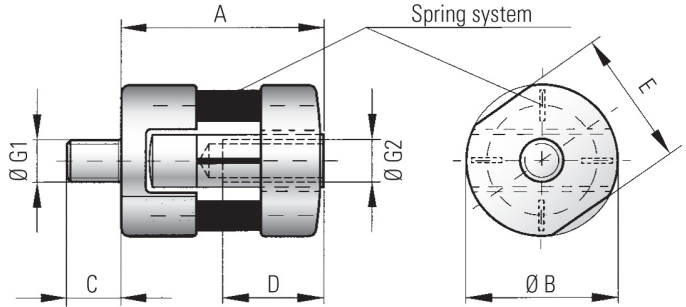
Absolutely backlash free

Brief Overloads:

Accepts up to 1.5 times the rated value.

Service Life:

These couplings have an infinite life and are maintenance free if operated within performance limits.



Model - LC			Series					
			70	150	300	500	800	2000
Pressure Force	N [lbs]	F	70 [16]	150 [34]	300 [68]	500 [112]	800 [180]	2000 [450]
Overall Length	mm [in]	A	24 [.94]	33 [1.30]	41,5 [1.63]	52 [2.05]	62 [2.44]	93 [3.66]
Outer Diameter	mm [in]	B	18 [.71]	22 [.87]	30 [1.18]	42 [1.65]	50 [1.97]	72 [2.83]
Outer Diameter of Thread		G ₁ G ₂	M5	M6	M8	M10	M12	M16
Max Tightening Torque (Thread)	Nm [ft-lbs]		4 [3]	7 [5]	18 [13]	30 [22]	60 [4.4]	170 [125]
Thread Length	mm [in]	C	6,5 [.26]	8 [.31]	10 [.39]	13 [.51]	18 [.71]	24 [.94]
Thread Length	mm [in]	D	10 [.39]	12 [.47]	16 [.63]	20 [.79]	24 [.94]	32 [1.26]
Key Width	mm [in]	E	16 [.63]	20 [.79]	27 [1.06]	38 [1.50]	46 [1.81]	60 [2.36]
Weight (Approx.)	g [oz]		11 [.4]	23 [.80]	57 [2.24]	135 [4.8]	236 [8.3]	580 [20.5]
Lateral Restoring Force	N [lbs]	Max. Values	10 [2.2]	18 [4.0]	48 [10.8]	96 [22.4]	122 [27.4]	180 [40.5]
Lateral	mm [in]		0,5 [.019]	0,5 [.019]	0,5 [.019]	0,7 [.028]	0,7 [.028]	0,7 [.028]
Angular			1.5°	1.5°	1.5°	1.5°	1.5°	1.5°
Product Number			976910	976920	976930	976940	976950	976960

Mounting Instructions

- Mounting "Wrench flats" have been machined into the coupling hubs to aid in mounting and dismounting the coupling.
- While mounting, be careful not to damage the leaf spring.

CAUTION

Do not exceed the tightening torque during mounting.

NOTE

The maximum lateral and angular misalignment values must not be exceeded.

Warranty

Nexen warrants that the Products will be free from any defects in material or workmanship for a period of 12 months from the date of shipment. NEXEN MAKES NO OTHER WARRANTY, EXPRESS OR IMPLIED, AND ALL IMPLIED WARRANTIES, INCLUDING WITHOUT LIMITATION, IMPLIED WARRANTIES OF MERCHANTABILITY AND FITNESS FOR A PARTICULAR PURPOSE ARE HEREBY DISCLAIMED. This warranty applies only if (a) the Product has been installed, used and maintained in accordance with any applicable Nexen installation or maintenance manual for the Product; (b) the alleged defect is not attributable to normal wear and tear; (c) the Product has not been altered, misused or used for purposes other than those for which it was intended; and (d) Buyer has given written notice of the alleged defect to Nexen, and delivered the allegedly defective Product to Nexen, within one year of the date of shipment.

Exclusive Remedy

The exclusive remedy of the Buyer for any breach of the warranties set out above will be, at the sole discretion of Nexen, a repair or replacement with new, serviceably used or reconditioned Product, or issuance of credit in the amount of the purchase price paid to Nexen by the Buyer for the Products.

Limitation of Nexen's Liability

TO THE EXTENT PERMITTED BY LAW NEXEN SHALL HAVE NO LIABILITY TO BUYER OR ANY OTHER PERSON FOR INCIDENTAL DAMAGES, SPECIAL DAMAGES, CONSEQUENTIAL DAMAGES OR OTHER DAMAGES OF ANY KIND OR NATURE WHATSOEVER, WHETHER ARISING OUT OF BREACH OF WARRANTY OR OTHER BREACH OF CONTRACT, NEGLIGENCE OR OTHER TORT, OR OTHERWISE, EVEN IF NEXEN SHALL HAVE BEEN ADVISED OF THE POSSIBILITY OR LIKELIHOOD OF SUCH POTENTIAL LOSS OR DAMAGE. For all of the purposes hereof, the term "consequential damages" shall include lost profits, penalties, delay images, liquidated damages or other damages and liabilities which Buyer shall be obligated to pay or which Buyer may incur based upon, related to or arising out of its contracts with its customers or other third parties. In no event shall Nexen be liable for any amount of damages in excess of amounts paid by Buyer for Products or services as to which a breach of contract has been determined to exist. The parties expressly agree that the price for the Products and the services was determined in consideration of the limitation on damages set forth herein and such limitation has been specifically bargained for and constitutes an agreed allocation of risk which shall survive the determination of any court of competent jurisdiction that any remedy herein fails of its essential purpose.

Limitation of Damages

In no event shall Nexen be liable for any consequential, indirect, incidental, or special damages of any nature whatsoever, including without limitation, lost profits arising from the sale or use of the Products.

Warranty Claim Procedures

To make a claim under this warranty, the claimant must give written notice of the alleged defect to whom the Product was purchased from and deliver the Product to same within one year of the date on which the alleged defect first became apparent.

nexen

Nexen Group, Inc.
560 Oak Grove Parkway
Vadnais Heights, MN 55127

800.843.7445
Fax: 651.286.1099
www.nexengroup.com

ISO 9001 Certified