

# WEB CONTROL PRODUCTS

User Manual



## Safety Chuck Brake Adapter Kits for use with BTBA, T Series and S Series Brakes



# DANGER

**Read this manual carefully before installation and operation.**

**Follow Nexen's instructions and integrate this unit into your system with care.**

**This unit should be installed, operated and maintained by qualified personnel ONLY.**

**Improper installation can damage your system or cause injury or death.**

**Comply with all applicable codes.**

In accordance with Nexen's established policy of constant product improvement, the specifications contained in this manual are subject to change without notice. Technical data listed in this manual are based on the latest information available at the time of printing and are also subject to change without notice.

**Technical Support:** 800-843-7445  
(651) 484-5900

[www.nexengroup.com](http://www.nexengroup.com)

Nexen Group, Inc.  
560 Oak Grove Parkway  
Vadnais Heights, MN 55127

## INSTALLATION

### SAFETY CHUCK PREPARATION

1. Remove orange cap from the back of the Safety Chuck.  
  
If applicable, remove threaded inserts from the two mounting holes on the back of the Safety Chuck.
2. Apply Loctite®242 or equivalent to the low head cap screw provided with the Adapter Kit.
3. Mount adapter plate on back of the Safety Chuck using a minimum of four low head cap screws.

**NOTE: Be sure that the plate is properly aligned, so it does not rub on the shaft of the Safety Chuck.**

4. Tighten the low head cap screws using the torque value listed in Table 1.

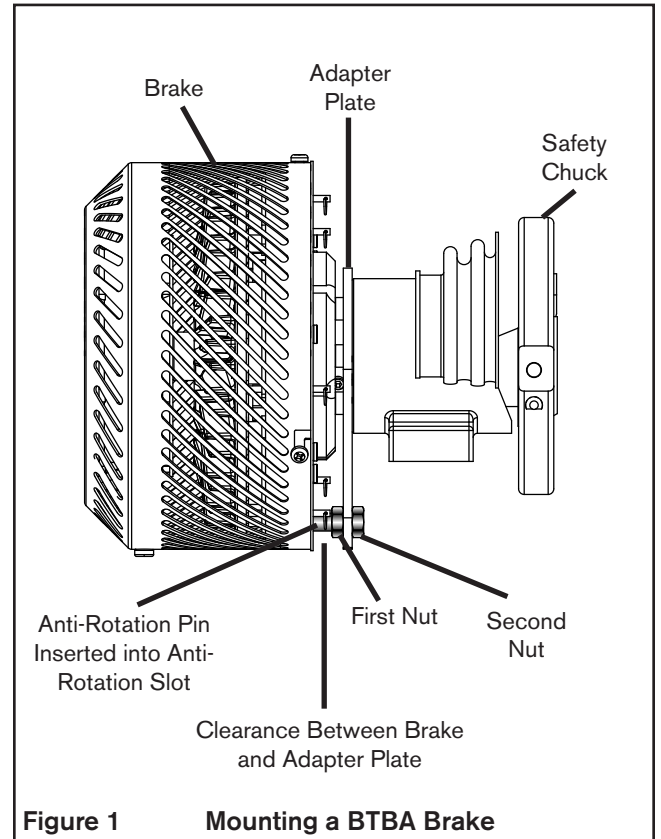
### BTBA ADAPTER KIT

1. Install the first jam nut onto the anti-rotation pin so it is threaded on as far as it can travel.
2. Slide the pin into one of three mounting holes in the Adapter Plate. Choose the hole based on where you want the fan electrical connection oriented.

**NOTE: The smooth part of the pin will be inserted into the BTBA anti-rotation hole.**

3. Apply Loctite®242 or equivalent on the pin, and install the second jam nut onto the anti-rotation pin and secure the nut against the adapter plate using the recommended tightening torque listed in Table 2.
4. Mount the brake on the shaft, aligning the anti-rotation hole with the pin in the adapter plate.
5. Secure the brake to the shaft allowing a minimum amount of clearance between the brake and the adapter plate.

**NOTE: Make sure that the brake hub does not come in contact with the low head cap screws used to mount the plate to the Safety Chuck.**



**Figure 1** Mounting a BTBA Brake

**Table 1**

Screw Type	Tightening Torque
M5	8 Nm [75 in-lbs]
M6	14 Nm [125 in-lbs]
M8	28 Nm [250 in-lbs]
M10	45 Nm [400 in-lbs]
M12	101 Nm [900 in-lbs]

**Table 2**

Jam Nut	Tightening Torque
.250-20	7 Nm [58 in-lbs]
.375-15	24 Nm [216 in-lbs]
.500-13	38 Nm [335 in-lbs]

## SAFETY CHUCK PREPARATION

1. Remove orange cap from the back of the Safety Chuck.  
  
If applicable, remove threaded inserts from the four mounting holes on the back of the Safety Chuck.
2. Apply Loctite®242 or equivalent to the low head cap screw provided with the Adapter Kit.
3. Mount adapter plate on back of the Safety Chuck using a minimum of four low head cap screws.

**NOTE: Be sure that the plate is properly aligned, so it does not rub on the shaft of the Safety Chuck.**

4. Tighten the low head cap screws using the torque value listed in Table 1.

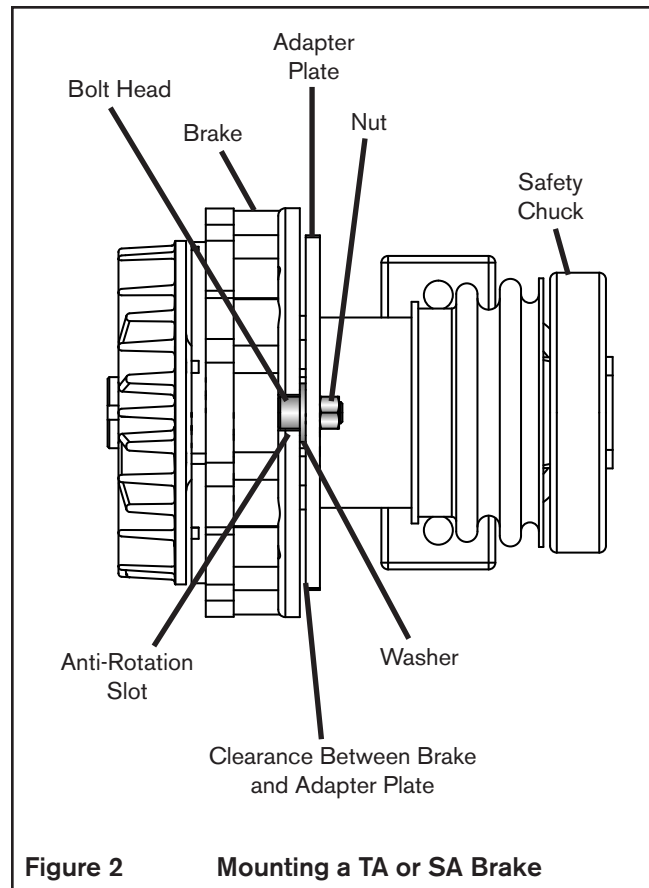
## STANDARD OR ADVANCED T- SERIES AND S-SERIES BRAKE ADAPTER KIT

1. Install the flat washer on the cap screw.
2. Slide cap screw and washer into one of three mounting holes in the Adapter Plate. Choose the hole based on where you want the brake air inlet oriented. It is best to orient the inlet towards the bottom of the brake to facilitate the drainage of any moisture from the assembly.

**NOTE: The bolt head should be facing away from the Safety Chuck.**

3. Apply Loctite®242 or equivalent to the screw threads and secure nut to the Adapter Plate using the recommended tightening torque listed in Table 2.
4. Mount the brake on the shaft following the instructions provided with the brake. Align the anti-rotation slot with the head of the cap screws in the adapter plate.
5. Secure the brake to the shaft allowing a minimum amount of clearance between the brake and the adapter plate.

**NOTE: Make sure that the brake hub does not come in contact with the low head cap screws used to mount the plate to the Safety Chuck.**



**Figure 2 Mounting a TA or SA Brake**

**Table 1**

Screw Type	Tightening Torque
M5	8 Nm [75 in-lbs]
M6	14 Nm [125 in-lbs]
M8	28 Nm [250 in-lbs]
M10	45 Nm [400 in-lbs]
M12	101 Nm [900 in-lbs]

**Table 2**

Jam Nut	Tightening Torque
.250-20	7 Nm [58 in-lbs]
.375-15	24 Nm [216 in-lbs]
.500-13	38 Nm [335 in-lbs]

## WARRANTY

### Warranties

Nexen warrants that the Products will be free from any defects in material or workmanship for a period of 12 months from the date of shipment. NEXEN MAKES NO OTHER WARRANTY, EXPRESS OR IMPLIED, AND ALL IMPLIED WARRANTIES, INCLUDING WITHOUT LIMITATION, IMPLIED WARRANTIES OF MERCHANTABILITY AND FITNESS FOR A PARTICULAR PURPOSE ARE HEREBY DISCLAIMED. This warranty applies only if (a) the Product has been installed, used and maintained in accordance with any applicable Nexen installation or maintenance manual for the Product; (b) the alleged defect is not attributable to normal wear and tear; (c) the Product has not been altered, misused or used for purposes other than those for which it was intended; and (d) Buyer has given written notice of the alleged defect to Nexen, and delivered the allegedly defective Product to Nexen, within one year of the date of shipment.

### Exclusive Remedy

The exclusive remedy of the Buyer for any breach of the warranties set out above will be, at the sole discretion of Nexen, a repair or replacement with new, serviceably used or reconditioned Product, or issuance of credit in the amount of the purchase price paid to Nexen by the Buyer for the Products.

### Limitation of Nexen's Liability

TO THE EXTENT PERMITTED BY LAW NEXEN SHALL HAVE NO LIABILITY TO BUYER OR ANY OTHER PERSON FOR INCIDENTAL DAMAGES, SPECIAL DAMAGES, CONSEQUENTIAL DAMAGES OR OTHER DAMAGES OF ANY KIND OR NATURE WHATSOEVER, WHETHER ARISING OUT OF BREACH OF WARRANTY OR OTHER BREACH OF CONTRACT, NEGLIGENCE OR OTHER TORT, OR OTHERWISE, EVEN IF NEXEN SHALL HAVE BEEN ADVISED OF THE POSSIBILITY OR LIKELIHOOD OF SUCH POTENTIAL LOSS OR DAMAGE. For all of the purposes hereof, the term "consequential damages" shall include lost profits, penalties, delay images, liquidated damages or other damages and liabilities which Buyer shall be obligated to pay or which Buyer may incur based upon, related to or arising out of its contracts with its customers or other third parties. In no event shall Nexen be liable for any amount of damages in excess of amounts paid by Buyer for Products or services as to which a breach of contract has been determined to exist. The parties expressly agree that the price for the Products and the services was determined in consideration of the limitation on damages set forth herein and such limitation has been specifically bargained for and constitutes an agreed allocation of risk which shall survive the determination of any court of competent jurisdiction that any remedy herein fails of its essential purpose.

### Limitation of Damages

In no event shall Nexen be liable for any consequential, indirect, incidental, or special damages of any nature whatsoever, including without limitation, lost profits arising from the sale or use of the Products.

### Warranty Claim Procedures

To make a claim under this warranty, the claimant must give written notice of the alleged defect to whom the Product was purchased from and deliver the Product to same within one year of the date on which the alleged defect first became apparent.

**nexen**<sup>®</sup>Nexen Group, Inc.  
560 Oak Grove Parkway  
Vadnais Heights, MN 55127800.843.7445  
Fax: 651.286.1099  
www.nexengroup.com

ISO 9001 Certified