

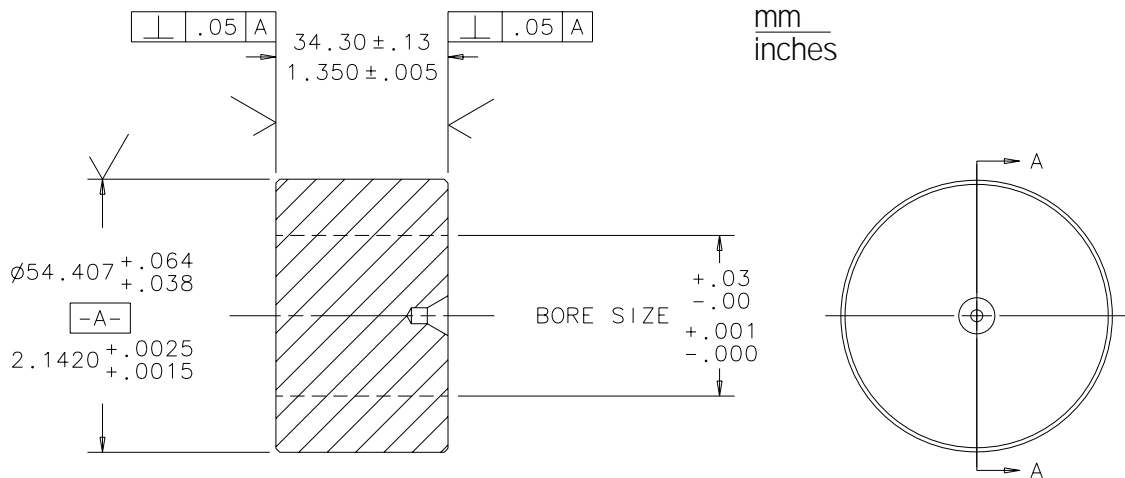
**NEXEN BTB-10 BLANK BORE BUSHING INSTRUCTIONS**

This Bushing has a blank bore that must be properly finished prior to installation in the Nexen BTB-10 Tension Control Brake. The drawing below gives the bore size tolerances, both metric and inch, required for a proper fit. The Outside Diameter (OD) is finished at the factory to the dimension shown below. Care must be taken to insure the OD is not damaged while finishing the bore.

**CUSTOMER SUPPLIED BUSHING:**

The drawing below may be used by customers who wish to make their own bushing. Dimensions and tolerances for both the Inside Diameter (ID) and OD must be followed. Nexen uses Bronze, C93200 material in its BTB-10 support bushings.

NOTE: Nexen does not warranty nor implies any warranty on customer supplied bushings. Refer to Nexen BTB-10 installation and maintenance manual #L-21057 for the install of support bushing.



In accordance with Nexen's established policy of constant product improvement, the specifications contained in this document are subject to change without notice. Technical data listed in this document are based on the latest information available at the time of printing and are also subject to change without notice. For current information, please consult [www.nexengroup.com](http://www.nexengroup.com).