

HUBLESS BW CLUTCH AND BRAKE INSTALLATION INSTRUCTIONS AND PARTS LIST

INSTALLATION

INSTALLING HUBLESS BW CLUTCH AND BRAKE—AIR CHAMBER SIDE FIRST

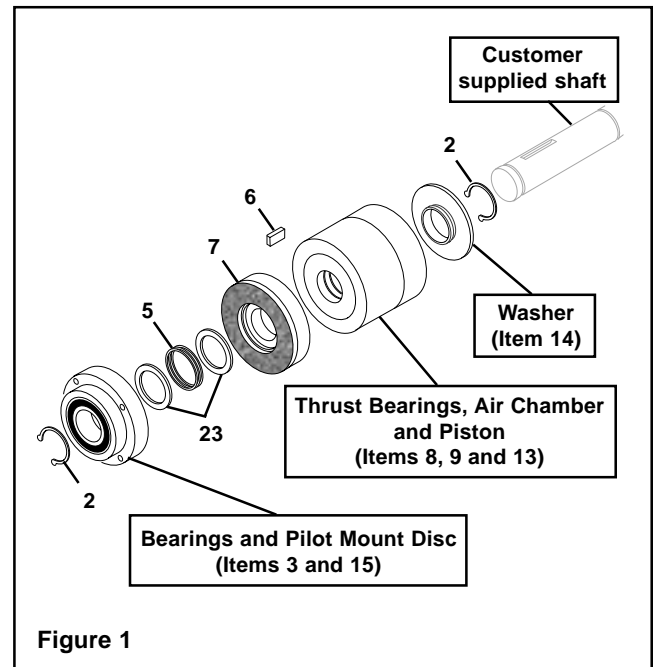
WARNING

Special attention should be exercised when working with retaining rings. Always wear safety goggles when working with spring or tension loaded fasteners or devices.

1. Install one Retaining Ring (Item 2) onto the customer supplied shaft (See Figure 1).
2. Install the Washer (Item 14) onto the customer supplied shaft (See Figure 1).
3. Install the Thrust Bearings, Air Chamber and Piston (Items 8, 9, and 13) onto the customer supplied shaft (See Figure 1).
4. Install the Key (Item 6) onto the customer supplied shaft (See Figure 1).
5. Install the Friction Disc Assembly (Item 7) onto the customer supplied shaft (See Figure 1).
6. Install the first Spring Retaining Washer (Item 23) onto the customer supplied shaft (See Figure 1).
7. Install the Spring (Item 5) onto the customer supplied shaft, making sure the closed end is toward the Pilot Mount Disc (Item 15) (See Figure 1).
8. Install the second Spring Retaining Washer (Item 23) onto the customer supplied shaft (See Figure 1).

NOTE

There must be a gap between the Friction Disc Assembly (Item 7) and the Pilot Mount Disc (Item 15). Use a 0.020 In. [0.51 mm] spacer to insure the correct gap between the Friction Disc Assembly and the Pilot Mount Disc (See Figure 1).



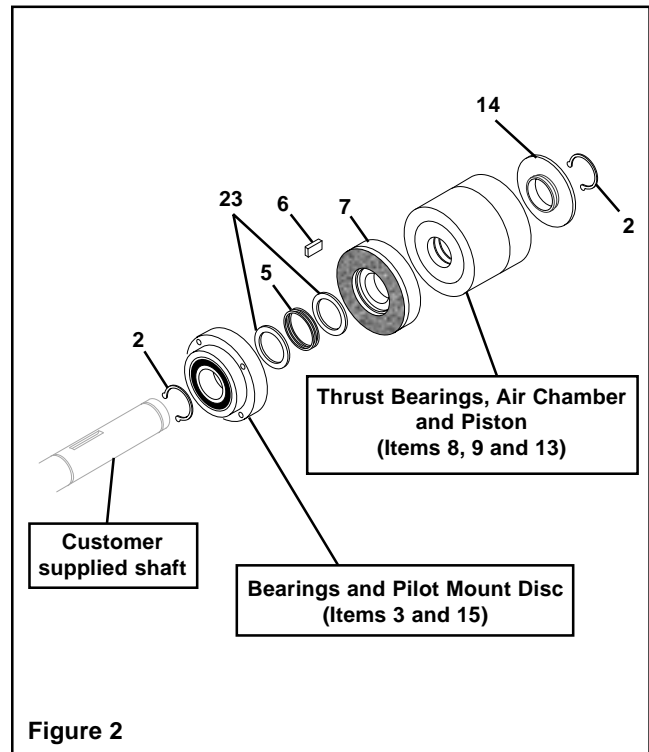
9. Press the Bearings/Pilot Mount Disc assembly (Items 3 and 15) onto the customer supplied shaft (See Figure 1).
10. Install the second Retaining Ring (Item 2) onto the customer supplied shaft (See Figure 1).

INSTALLING HUBLESS BW CLUTCH AND BRAKE—PILOT MOUNT DISC SIDE FIRST

WARNING

Special attention should be exercised when working with retaining rings. Always wear safety goggles when working with spring or tension loaded fasteners or devices.

1. Install one Retaining Ring (Item 2) onto the customer supplied shaft (See Figure 2).
2. Press the Bearing/Pilot Mount Disc assembly (Items 3 and 15) onto the customer supplied shaft (See Figure 2).
3. Install the first Spring Retaining Washer (Item 23) onto the customer supplied shaft (See Figure 2).
4. Install the Spring (Item 5) onto the customer supplied shaft, making sure the closed end is toward the Pilot Mount Disc (Item 15) (See Figure 2).
5. Install the second Spring Retaining Washer (Item 23) onto the customer supplied shaft (See Figure 2).
6. Install the Friction Disc Assembly (Item 7) onto the customer supplied shaft (See Figure 2).
7. Install the Key (Item 6) onto the customer supplied shaft (See Figure 2).
8. Install the Thrust Bearings, Air Chamber and Piston (Items 8, 9, and 13) onto the customer supplied shaft (See Figure 2).
9. Install the Washer (Item 14) onto the customer supplied shaft (See Figure 2).
10. Install the second Retaining Ring (Item 2) onto the customer supplied shaft (See Figure 2).



PARTS LIST

ITEM	DESCRIPTION	QTY
2	Retaining Ring (Ext.)	2
3	Bearing	1
5 ¹	Return Spring	1
6 ¹	Disc Key	1
7 ¹	Friction Disc Assembly	1
8 ¹	Thrust Bearing	2
9	Air Chamber	1
10 ¹	O-ring Seal (Large)	1
11 ¹	O-ring Seal (Small)	1
13	Piston	1
14	Washer	1
15	Pilot Mount Disc	1
18	Air Inlet Fitting	1
19	Air Hose Assembly (Not Shown)	1
23 ¹	Spring Retaining Washer	2

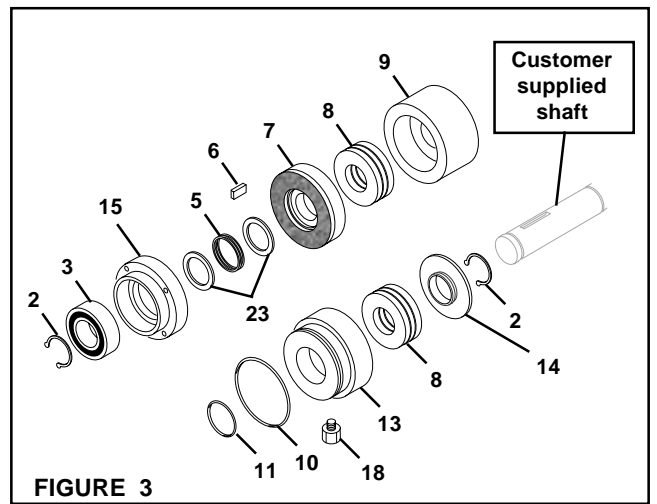


FIGURE 3

¹ Denotes Repair Kit item.
Repair Kit No. 846800.

WARRANTY

Nexen Group, Inc. (Nexen) warrants its product(s) [the Product(s)] will be free from defects in materials and workmanship under normal use and service conditions for a period of 12 months from the date of shipment. NO OTHER WARRANTIES, WHETHER EXPRESS, IMPLIED, OR STATUTORY, INCLUDING WITHOUT LIMITATION WARRANTIES OF MERCHANTABILITY, OR OF FITNESS FOR A PARTICULAR PURPOSE, ARE GIVEN, AND ALL SUCH OTHER WARRANTIES ARE HEREBY EXPRESSLY DISCLAIMED.

Conditions

This warranty applies only if: (a) the Product has been installed, used, and maintained in accordance with any applicable Nexen installation or maintenance manual for the Product; (b) the alleged defect is not attributable to normal wear and tear; (c) the Product has not been altered, misused, or used for purposes other than those for which it was intended; and (d) the claimant has complied with the warranty claim procedures set out below in Warranty Claim Procedures.

Exclusive Remedy

The sole and exclusive remedy for a breach of this warrant shall be, at Nexen's sole election, repair or replacement with new, serviceably used or reconditioned Product, or issuance of a credit in the amount of the current Nexen discounted price for the Product.

Limitation of Damages

In no event shall Nexen be liable for any consequential, indirect, incidental, or special damages of any nature whatsoever, including without limitation, lost profits arising from the sale or use of the Products.

Warranty Claim Procedures

To make a claim under this warranty, the claimant must give written notice of the alleged defect to Nexen and deliver the Product to Nexen within one year of the date on which the alleged defect first became apparent.

Nexen Group, Inc.
560 Oak Grove Parkway
Vadnais Heights, MN 55127
800-843-7445
In MN: (651) 484-5900
Fax: (651) 286-1099
www.nexengroup.com

ISO 9001 Certified