

SINGLE AND DUAL ROTOR TENSION CONTROL BRAKES MODELS: XTB-10, XTB-12, XTB-14, XTB-18, AND XTB-22 CALIPER INSTALLATION SUPPLEMENT SERIAL No. 977256-977681

INTRODUCTION

Read this manual carefully, making full use of its explanations and instructions. The “Know How” of safe, continuous, trouble-free operation depends on the degree of your understanding of the system and your willingness to keep all components in proper operating condition. Pay particular attention to all NOTES, CAUTIONS, and WARNINGS to avoid the risk of personal injury or property damage. It is important to understand that these NOTES, CAUTIONS, and WARNINGS are not exhaustive. Nexen cannot possibly know or evaluate all conceivable methods in which service may be performed, or the possible hazardous consequences of each method. Accordingly, anyone who uses a procedure that is not recommended by Nexen must first satisfy themselves that neither their safety or the safety of the product will be jeopardized by the service method selected.

CALIPER INSTALLATION

NOTE

On XTB Caliper Brakes, serial numbers 977256-977681 have two additional Washers (Nexen Part No. 100270) included that must be used to allow for proper spacing between the Rotor and Mounting Ring. When installing the Caliper for XTB Caliper Brakes, adhere to the following instructions. These instructions replace Page 3 of Literature No. L-20183.

- Slide one Caliper Assembly over the Rotor and Hub (See Figure 1).

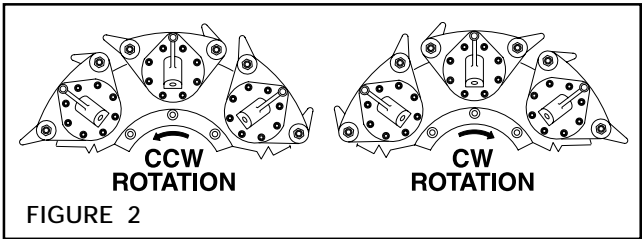
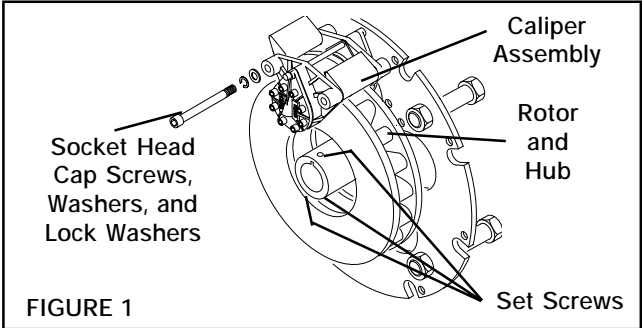
NOTE

For best thermal dissipation, align the Caliper Assembly as shown in relation to the direction of Rotor rotation. Direction of Rotor rotation is stamped in the Rotor (See Figure 2).

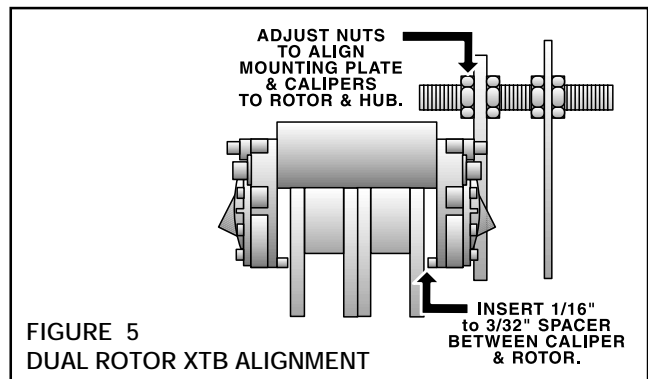
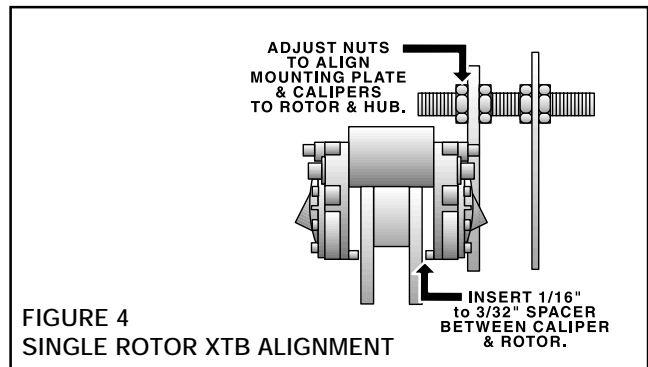
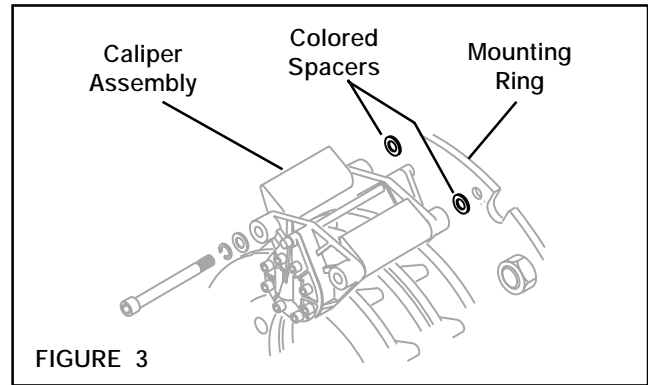
NOTE

Remove and discard the two Hex. Nuts used to hold the Caliper Assembly together during shipping.

- Install Washers between the Caliper Assembly and Mounting Ring (See Figure 3).
- Using Socket Head Cap Screws, Washers, and Lock Washers, secure the Caliper Assembly to the Mounting Ring (See Figure 1).
- Tighten the Socket Head Cap Screws to 48 Ft. Lbs. [65.5 N•m] torque (See Figure 1).



5. Repeat Steps 1-4 to install the remaining Caliper Assemblies.
6. Slide the Rotor and Hub on the machine shaft until it is snug against the Caliper Assemblies.
7. Tighten Set Screws (See Figure 1).
8. Align the Mounting Ring and Calipers to the Rotor(s) and Hub Assembly by adjusting the Nuts until a 1/16-3/32" spacer can be inserted between the Caliper and Rotor (See Figure 4 for Single Rotor and Figure 5 for Dual Rotor alignment procedures).
9. Tighten the Hex. Head Jam Nuts to 131 Ft. Lbs. [178 N•m] torque.



In accordance with Nexen's established policy of constant product improvement, the specifications contained in this manual are subject to change without notice. Technical data listed in this manual are based on the latest information available at the time of printing and are also subject to change without notice.

Technical Support: 800-843-7445
(651) 484-5900

WARRANTY

Warranties

Nexen warrants that the Products will be free from any defects in material or workmanship for a period of 12 months from the date of shipment. NEXEN MAKES NO OTHER WARRANTY, EXPRESS OR IMPLIED, AND ALL IMPLIED WARRANTIES, INCLUDING WITHOUT LIMITATION, IMPLIED WARRANTIES OF MERCHANTABILITY AND FITNESS FOR A PARTICULAR PURPOSE ARE HEREBY DISCLAIMED. This warranty applies only if (a) the Product has been installed, used and maintained in accordance with any applicable Nexen installation or maintenance manual for the Product; (b) the alleged defect is not attributable to normal wear and tear; (c) the Product has not been altered, misused or used for purposes other than those for which it was intended; and (d) Buyer has given written notice of the alleged defect to Nexen, and delivered the allegedly defective Product to Nexen, within one year of the date of shipment.

Exclusive Remedy

The exclusive remedy of the Buyer for any breach of the warranties set out above will be, at the sole discretion of Nexen, a repair or replacement with new, serviceably used or reconditioned Product, or issuance of credit in the amount of the purchase price paid to Nexen by the Buyer for the Products.

Limitation of Nexen's Liability

TO THE EXTENT PERMITTED BY LAW NEXEN SHALL HAVE NO LIABILITY TO BUYER OR ANY OTHER PERSON FOR INCIDENTAL DAMAGES, SPECIAL DAMAGES, CONSEQUENTIAL DAMAGES OR OTHER DAMAGES OF ANY KIND OR NATURE WHATSOEVER, WHETHER ARISING OUT OF BREACH OF WARRANTY OR OTHER BREACH OF CONTRACT, NEGLIGENCE OR OTHER TORT, OR OTHERWISE, EVEN IF NEXEN SHALL HAVE BEEN ADVISED OF THE POSSIBILITY OR LIKELIHOOD OF SUCH POTENTIAL LOSS OR DAMAGE. For all of the purposes hereof, the term "consequential damages" shall include lost profits, penalties, delay images, liquidated damages or other damages and liabilities which Buyer shall be obligated to pay or which Buyer may incur based upon, related to or arising out of its contracts with its customers or other third parties. In no event shall Nexen be liable for any amount of damages in excess of amounts paid by Buyer for Products or services as to which a breach of contract has been determined to exist. The parties expressly agree that the price for the Products and the services was determined in consideration of the limitation on damages set forth herein and such limitation has been specifically bargained for and constitutes an agreed allocation of risk which shall survive the determination of any court of competent jurisdiction that any remedy herein fails of its essential purpose.

Limitation of Damages

In no event shall Nexen be liable for any consequential, indirect, incidental, or special damages of any nature whatsoever, including without limitation, lost profits arising from the sale or use of the Products.

Warranty Claim Procedures

To make a claim under this warranty, the claimant must give written notice of the alleged defect to whom the Product was purchased from and deliver the Product to same within one year of the date on which the alleged defect first became apparent.

nexen

Nexen Group, Inc.
560 Oak Grove Parkway
Vadnais Heights, MN 55127

800.843.7445
Fax: 651.286.1099
www.nexengroup.com

ISO 9001 Certified



MEX (55) 53 63 23 31 MTY (81) 83 54 10 18
QRO (442) 1 95 72 60 ventas@industrialmagza.com

FORM NO. L-20301-A-0601