

nexen[®]

WEB CONTROL PRODUCTS

User Manual



Conversion Kit Product No. 833500
Model 2-HWCB

In accordance with Nexen's established policy of constant product improvement, the specifications contained in this manual are subject to change without notice. Technical data listed in this manual are based on the latest information available at the time of printing and are also subject to change without notice.

Technical Support:
800-843-7445
(651) 484-5900

www.nexengroup.com



WARNING

Read this manual carefully before installation and operation.

Follow Nexen's instructions and integrate this unit into your system with care.

This unit should be installed, operated and maintained by qualified personnel ONLY.

Improper installation can damage your system or cause injury or death.

Comply with all applicable codes.

Nexen Group, Inc.
560 Oak Grove Parkway
Vadnais Heights, Minnesota 55127

TABLE OF CONTENTS

Introduction ----- 1

HWCB ----- 1

1-HWCB ----- 1

Assembly ----- 2

Parts List ----- 2

Warranties ----- 3

INTRODUCTION

Read this manual carefully, making full use of its explanations and instructions. The “Know How” of safe, continuous, trouble-free operation depends on the degree of your understanding of the system and your willingness to keep all components in proper operating condition. Pay particular attention to all NOTES, CAUTIONS, and WARNINGS to avoid the risk of personal injury or property damage. It is important to understand that these NOTES, CAUTIONS, and WARNINGS are not exhaustive. Nexen cannot possibly know or evaluate all conceivable methods in which service may be performed, or the possible hazardous consequences of each method. Accordingly, anyone who uses a procedure that is not recommended by Nexen must first satisfy themselves that neither their safety or the safety of the product will be jeopardized by the service method selected.

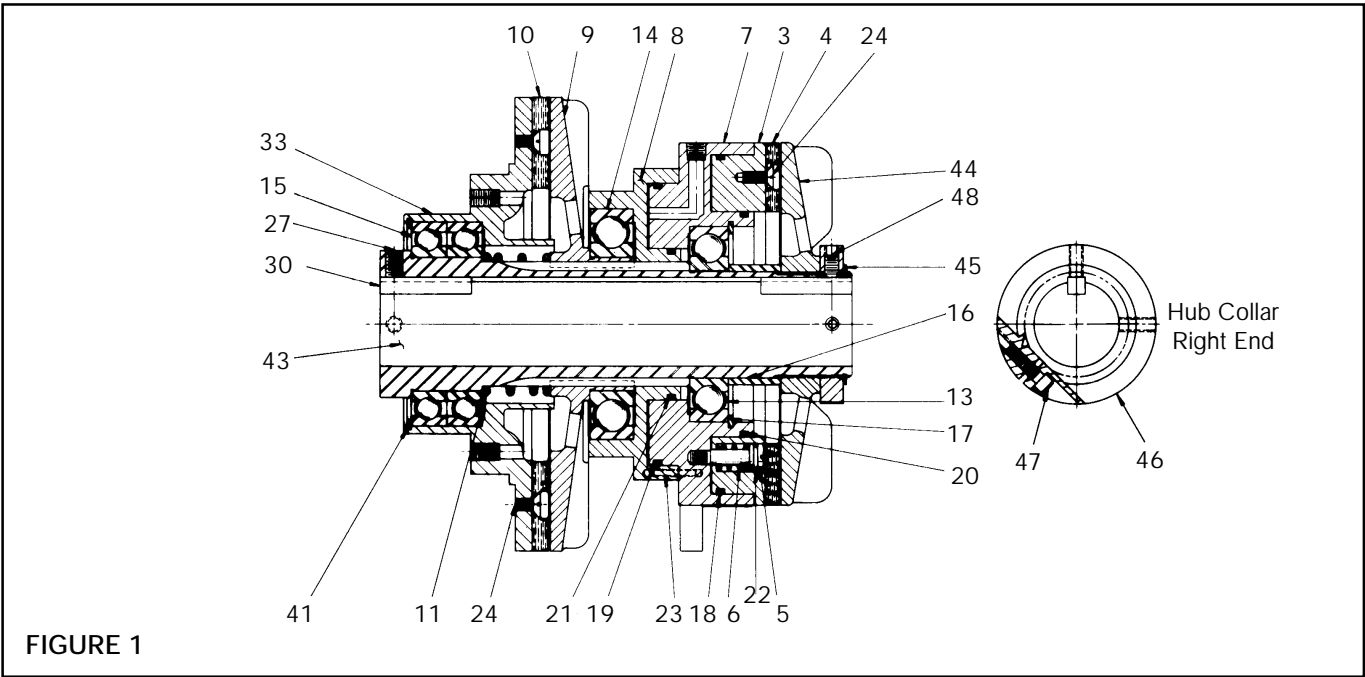


FIGURE 1

HWCB

1. Remove Retaining Ring (Item 36), and Hub Collar (Item 26) on brake end of unit.

WARNING

Special attention should be exercised when working with retaining rings. Always wear safety goggles when working with spring or tension loaded fasteners or devices.

2. Remove Brake Friction Disc (Item 2), and the next two Retaining Rings (Item 36).
3. Press Brake Assembly off Hub (Item 1); Clutch assembly will then slide off the Hub.
4. Press Sheave (Item 12), or Drive Disc (Item 15) off the Hub.

1-HWCB

1. Remove Beveled Retaining Ring (Item 45).
2. Remove Friction Disc (Item 44), and Brake Friction Disc (Item 16).

3. Press Brake Assembly off the Hub (Item 43); The Clutch assembly will then slide off the Hub (Item 43).
4. Press Sheave (Item 12), and Bearings (Item 15) off the Hub.



1. Press Sheave or Drive Disc with Bearings onto new Hub (Item 43).
 2. Replace Spring (Item 11), and slide Clutch Assembly into position.
- NOTE: Before installation of Brake Assembly, inspect O-rings (Items 19 & 21). If O-rings are in satisfactory condition, lubricate them with fresh O-ring Lubricant, and press the Brake Assembly onto the Hub. If O-rings show signs of wear or deterioration, replace them.
3. Install Spacer (Item 16) between Bearing (Item 13), and new Brake Friction Disc (Item 44).
 4. With new Brake Friction Disc in position next to Spacer, install Hub Collar (Item 46), and Retaining Ring (Item 45).
 5. Install Cap Screws (Item 47), and Set Screws (Item 48).
 6. Tighten Cap Screws to 25 Ft. Lbs. torque.

PARTS LIST

ITEM NO.	DESCRIPTION	QUANTITY			
		FWCB	LWCB	MWCB	HWCB
1	Hub	1	1	1	1
2	Disc (Brake Friction)	1	1	1	
3	Piston (Brake)	1	1	1	1
4	Friction Facing (Brake)	1	1	1	1
4	Friction Facing (Clutch)	1			
5	Shoulder Bolt	3	3	6	6
6	Spring (Shoulder Bolt)	3	3	6	6
7	Air Chamber-Piston	1	1	1	1
8	Air Chamber	1	1	1	1
9	Disc (Clutch Friction)		1	1	1
10	Friction Facing (Clutch)		1	1	1
11	Return Spring	1	1	1	1
12	Sheave	1	1	1	1
13	Bearing (Piston)	2	1	1	1
14	Bearing (Air Chamber)	1	1	1	1
15	Bearing (Sheave)		1	1	2
16	Spacer		1	1	1
17	Retaining Ring	1	1	1	1
18	O-ring (Piston)	1	1	1	1
19	O-ring (Air Chamber-Piston)	1	1	1	1
20	O-ring (Air Chamber-Piston)	1	1	1	1
21	O-ring (Air Chamber)	1	1	1	1
22	O-ring (Shoulder Bolt)	3	3	6	6
23	Spring Pin	1	1	1	1
24	Machine Screw (Brake)	6	6	6	6
24	Machine Screw (Clutch)	6	6		6
25	Machine Screw (Clutch)			6	
26	Locknut	1	1	1	
27	Set Screw	2	2	2	2
28	Set Screw	3	3	3	
29	Set Screw	2	2	2	
30	Key (Hub)	2	2	2	2
32	Air Hose Assembly (Not Shown)	2	2	2	2
33	Disc Drive	1	1	1	1
34	Bearing (Drive Disc)	1	1	1	1
35	Key (Clutch)	1			
36	Retaining Ring	1			
37	Retaining Ring	2			
38	Coupling Half Assembly	1	1	1	1
39	Bushing	1	1	1	1
41	Retaining Ring	1	1	1	1
43	Hub				1
44	Disc (Brake Friction)				1
45	Retaining Ring				1
46	Hub Collar				1
47	Cap Screw				2
48	Set Screw				1

Items in **BOLD** type are Conversion Kit Items.



WARRANTIES

Warranties

Nexen warrants that the Products will be free from any defects in material or workmanship for a period of 12 months from the date of shipment. NEXEN MAKES NO OTHER WARRANTY, EXPRESS OR IMPLIED, AND ALL IMPLIED WARRANTIES, INCLUDING WITHOUT LIMITATION, IMPLIED WARRANTIES OF MERCHANTABILITY AND FITNESS FOR A PARTICULAR PURPOSE ARE HEREBY DISCLAIMED. This warranty applies only if (a) the Product has been installed, used and maintained in accordance with any applicable Nexen installation or maintenance manual for the Product; (b) the alleged defect is not attributable to normal wear and tear; (c) the Product has not been altered, misused or used for purposes other than those for which it was intended; and (d) Buyer has given written notice of the alleged defect to Nexen, and delivered the allegedly defective Product to Nexen, within one year of the date of shipment.

Exclusive Remedy

The exclusive remedy of the Buyer for any breach of the warranties set out above will be, at the sole discretion of Nexen, a repair or replacement with new, serviceably used or reconditioned Product, or issuance of credit in the amount of the purchase price paid to Nexen by the Buyer for the Products.

Limitation of Nexen's Liability

TO THE EXTENT PERMITTED BY LAW NEXEN SHALL HAVE NO LIABILITY TO BUYER OR ANY OTHER PERSON FOR INCIDENTAL DAMAGES, SPECIAL DAMAGES, CONSEQUENTIAL DAMAGES OR OTHER DAMAGES OF ANY KIND OR NATURE WHATSOEVER, WHETHER ARISING OUT OF BREACH OF WARRANTY OR OTHER BREACH OF CONTRACT, NEGLIGENCE OR OTHER TORT, OR OTHERWISE, EVEN IF NEXEN SHALL HAVE BEEN ADVISED OF THE POSSIBILITY OR LIKELIHOOD OF SUCH POTENTIAL LOSS OR DAMAGE. For all of the purposes hereof, the term "consequential damages" shall include lost profits, penalties, delay images, liquidated damages or other damages and liabilities which Buyer shall be obligated to pay or which Buyer may incur based upon, related to or arising out of its contracts with its customers or other third parties. In no event shall Nexen be liable for any amount of damages in excess of amounts paid by Buyer for Products or services as to which a breach of contract has been determined to exist. The parties expressly agree that the price for the Products and the services was determined in consideration of the limitation on damages set forth herein and such limitation has been specifically bargained for and constitutes an agreed allocation of risk which shall survive the determination of any court of competent jurisdiction that any remedy herein fails of its essential purpose.

Limitation of Damages

In no event shall Nexen be liable for any consequential, indirect, incidental, or special damages of any nature whatsoever, including without limitation, lost profits arising from the sale or use of the Products.

Warranty Claim Procedures

To make a claim under this warranty, the claimant must give written notice of the alleged defect to whom the Product was purchased from and deliver the Product to same within one year of the date on which the alleged defect first became apparent.



Nexen Group, Inc.
560 Oak Grove Parkway
Vadnais Heights, MN 55127

800.843.7445
Fax: 651.286.1099
www.nexengroup.com

ISO 9001 Certified