

AIR CHAMP[®] PRODUCTS

User Manual



SPC Pivot Arm Conversion Kit

In accordance with Nexen's established policy of constant product improvement, the specifications contained in this manual are subject to change without notice. Technical data listed in this manual are based on the latest information available at the time of printing and are also subject to change without notice.

Technical Support: 800-843-7445
(651) 484-5900

www.nexengroup.com



DANGER

Read this manual carefully before installation and operation.

Follow Nexen's instructions and integrate this unit into your system with care.

This unit should be installed, operated and maintained by qualified personnel ONLY.

Improper installation can damage your system or cause injury or death.

Comply with all applicable codes.

Nexen Group, Inc.
560 Oak Grove Parkway
Vadnais Heights, Minnesota 55127

ISO 9001 Certified



Introduction ----- 1

Disassembly ----- 1

Installation ----- 1

Parts List ----- 2

Warranties ----- 3

INTRODUCTION

Read this manual carefully, making full use of its explanations and instructions. The "Know How" of safe, continuous, trouble-free operation depends on the degree of your understanding of the system and your willingness to keep all components in proper operating condition. Pay particular attention to all NOTES, CAUTIONS, and WARNINGS to avoid the risk of personal injury or property damage. It is important to understand that these NOTES, CAUTIONS, and WARNINGS are not exhaustive. Nexen cannot possibly know or evaluate all conceivable methods in which service may be performed, or the possible hazardous consequences of each method. Accordingly, anyone who uses a procedure that is not recommended by Nexen must first satisfy themselves that neither their safety or the safety of the product will be jeopardized by the service method selected.

DISASSEMBLY

1. Loosen and remove Screws and Washers from both ends of Pivot Pin (See Fig. 1).
2. Using an arbor press, remove Pin from Frame (See Fig. 1).
3. Using an arbor press, remove Bearings from Arms (See Fig. 1).
4. Inspect bore of Frame for signs of wear or corrosion (See Fig. 1).

NOTE: If wear or corrosion has increased any portion of the bore to 2.001 " or greater, Frame must be replaced.

5. Remove Detent Pins securing Shoes to Brake Torque Arm (See Fig. 1).
6. Press Bearing Sleeves out of Shoes (See Fig. 1).

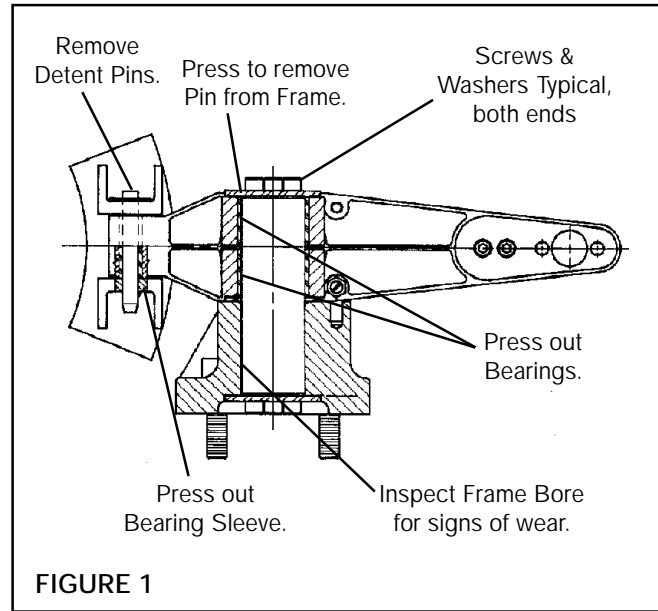


FIGURE 1

INSTALLATION

1. Press new Bearing Sleeve into Shoes.
2. Install Shoes onto Torque Arms and secure with Detent Pins.
3. Using an arbor press, press new Bearings into Arms (See Fig. 2).
4. Using an arbor press, and Loctite® RC 680 or equivalent, and press new Pivot Pin into Frame.

NOTE: Insert threaded end first and press until Pin shoulder contacts top surface of Frame (See Fig. 2).

5. Install 2" I.D. Steel Washer over threads of Pin projecting from bottom of Frame (See Fig. 2).
6. Using Loctite® 601 or equivalent, install one Spanner Nut with beveled edge facing Frame and tighten to 150 ft. lbs. torque (See Fig. 2).

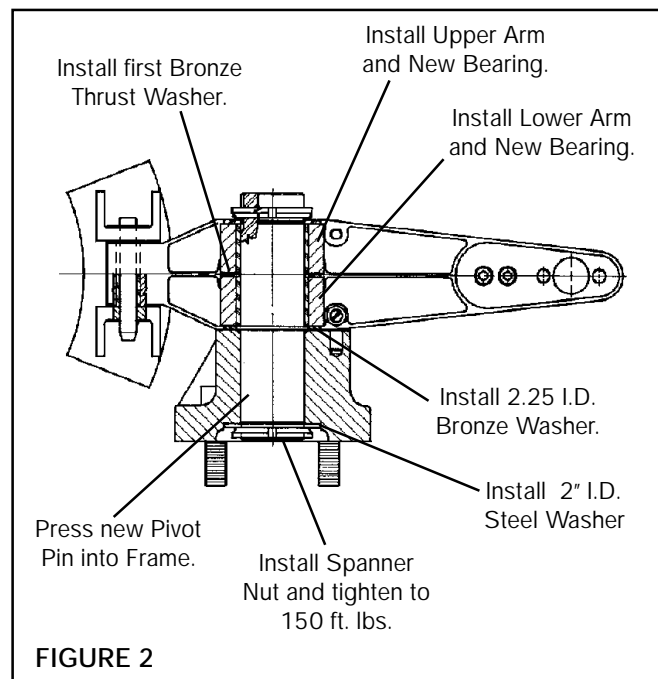


FIGURE 2

7. With projecting length of Pin pointing up, install 2.25 I.D. Bronze Washer over shoulder of Pin (See Fig. 2).

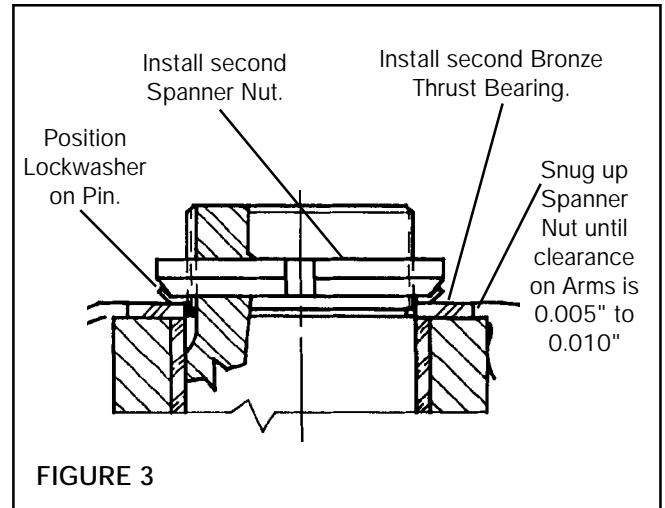
NOTE: Bronze Washer should rest directly on top of Frame (See Fig. 2).

8. Install Lower Arm and Bearing onto Pin (See Fig. 2).
9. Install first Thrust Bearing (See Fig. 2).
10. Install Upper Arm and Bearing onto Pin (See Fig. 2).
11. Install second Thrust Bearing (See Fig. 3).
12. Position Lock Washer on Pin (See Fig. 3).

NOTE: Tang of Lockwasher must be positioned in key slot of Pin.

13. Install second Spanner Nut with beveled edge facing down (See Fig. 3).
14. Snug up second Spanner Nut until vertical clearance on Arms is 0.005" to 0.010" (See Fig. 3).

NOTE: Tab of Lockwasher must be bent into nearest slot of Spanner Nut.



PARTS LIST

DESCRIPTION	PART NO.	QTY.
Detent Pin	P-795	2
Bearing Sleeve	A-8617	4
Pivot Pin	B-8775	1
Thrust Bearing	B-8776	1
Nut, Spanner	P-0914	2
Lock Washer	P-1034	1
Washer, Flat	B-8781	1
Bearing	A-8616	2
Instruction Manual (Conversion Kit)	L-20161	1
Instruction Manual (S.P. Caliper Brakes)	L-20095	1

WARRANTIES

Warranties

Nexen warrants that the Products will be free from any defects in material or workmanship for a period of 12 months from the date of shipment. NEXEN MAKES NO OTHER WARRANTY, EXPRESS OR IMPLIED, AND ALL IMPLIED WARRANTIES, INCLUDING WITHOUT LIMITATION, IMPLIED WARRANTIES OF MERCHANTABILITY AND FITNESS FOR A PARTICULAR PURPOSE ARE HEREBY DISCLAIMED. This warranty applies only if (a) the Product has been installed, used and maintained in accordance with any applicable Nexen installation or maintenance manual for the Product; (b) the alleged defect is not attributable to normal wear and tear; (c) the Product has not been altered, misused or used for purposes other than those for which it was intended; and (d) Buyer has given written notice of the alleged defect to Nexen, and delivered the allegedly defective Product to Nexen, within one year of the date of shipment.

Exclusive Remedy

The exclusive remedy of the Buyer for any breach of the warranties set out above will be, at the sole discretion of Nexen, a repair or replacement with new, serviceably used or reconditioned Product, or issuance of credit in the amount of the purchase price paid to Nexen by the Buyer for the Products.

Limitation of Nexen's Liability

TO THE EXTENT PERMITTED BY LAW NEXEN SHALL HAVE NO LIABILITY TO BUYER OR ANY OTHER PERSON FOR INCIDENTAL DAMAGES, SPECIAL DAMAGES, CONSEQUENTIAL DAMAGES OR OTHER DAMAGES OF ANY KIND OR NATURE WHATSOEVER, WHETHER ARISING OUT OF BREACH OF WARRANTY OR OTHER BREACH OF CONTRACT, NEGLIGENCE OR OTHER TORT, OR OTHERWISE, EVEN IF NEXEN SHALL HAVE BEEN ADVISED OF THE POSSIBILITY OR LIKELIHOOD OF SUCH POTENTIAL LOSS OR DAMAGE. For all of the purposes hereof, the term "consequential damages" shall include lost profits, penalties, delay images, liquidated damages or other damages and liabilities which Buyer shall be obligated to pay or which Buyer may incur based upon, related to or arising out of its contracts with its customers or other third parties. In no event shall Nexen be liable for any amount of damages in excess of amounts paid by Buyer for Products or services as to which a breach of contract has been determined to exist. The parties expressly agree that the price for the Products and the services was determined in consideration of the limitation on damages set forth herein and such limitation has been specifically bargained for and constitutes an agreed allocation of risk which shall survive the determination of any court of competent jurisdiction that any remedy herein fails of its essential purpose.

Limitation of Damages

In no event shall Nexen be liable for any consequential, indirect, incidental, or special damages of any nature whatsoever, including without limitation, lost profits arising from the sale or use of the Products.

Warranty Claim Procedures

To make a claim under this warranty, the claimant must give written notice of the alleged defect to whom the Product was purchased from and deliver the Product to same within one year of the date on which the alleged defect first became apparent.

nexen[®]

Nexen Group, Inc.
560 Oak Grove Parkway
Vadnais Heights, MN 55127

800.843.7445
Fax: 651.286.1099
www.nexengroup.com

ISO 9001 Certified