

WEB HANDLING DIVISION

TENSION CONTROLLER TC240S, TC440S & TC640S INSTALLATION, OPERATION, AND MAINTENANCE MANUAL

I. INTRODUCTION

This Instruction Manual pertains to "S" Series Tension Controllers used with remote mounted control heads, and deals only with the characteristics which make the "S" Series Controllers unique. Use this manual as an addendum to Tension Controller Manual L-20120.

"S" Series Controllers, modified versions of the standard Nexen-Nireco Tension Controllers are designed to allow mounting flexibility.

Operator's controls are mounted in the Control Head (See Fig. 1). These are all of the controls and meters normally found on the front panel of standard series units. The Diameter Compensation Pot is used only with the TC240 APS Controller to compensate for roll diameter during flying splice operations.

The Control Head is interfaced with the Terminal Box that is directly interconnected to the Tension Controller. Terminal Box to Tension Controller connection is made at the factory.

II. MOUNTING

The Control Head is designed for panel mounting in the operator's control console. The Tension Controller and it's Terminal Box can then be mounted in a control cabinet or any other remote location. Mounting the Tension Controller in a remote location reduces the area required for tension control hardware in the operator's station and prevents unauthorized adjustment of the calibration controls.

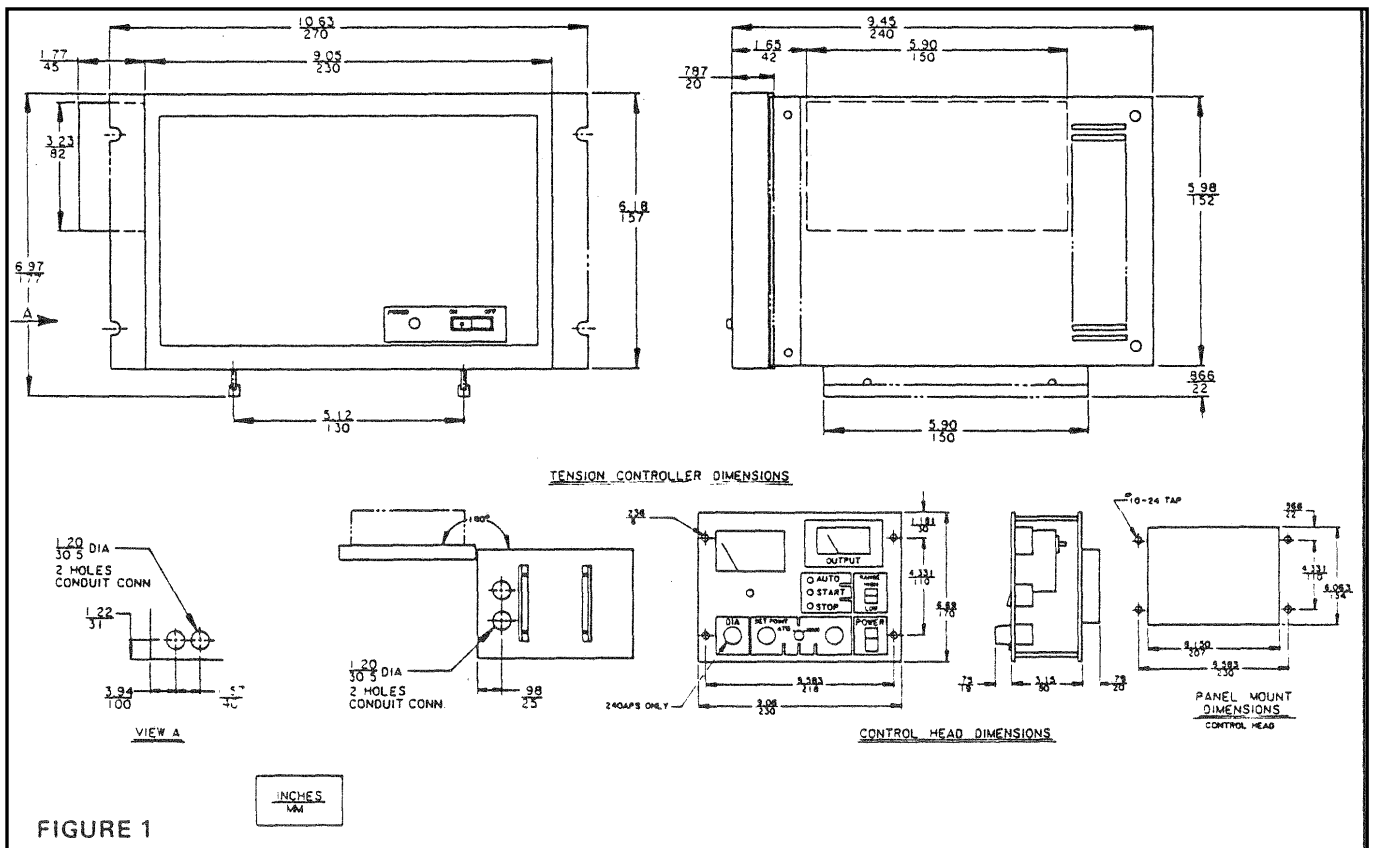
III. WIRING

Refer to Figure 2 for the appropriate wiring diagram.

The cable provided with the MB Detector is 16 feet long. This cable may be extended with four conductor, 18 AWC shielded cable. Interface wiring from Control Head to Terminal Box and Tension Controller must be made with customer provided 18 AWG shielded cable.

IV. CALIBRATION

Refer to Tension Controller Installation Manual L-20120 for calibration and tuning instructions. All controls required for calibration and tuning remain on the front door side panel of the Tension Controller as described in L-20120.



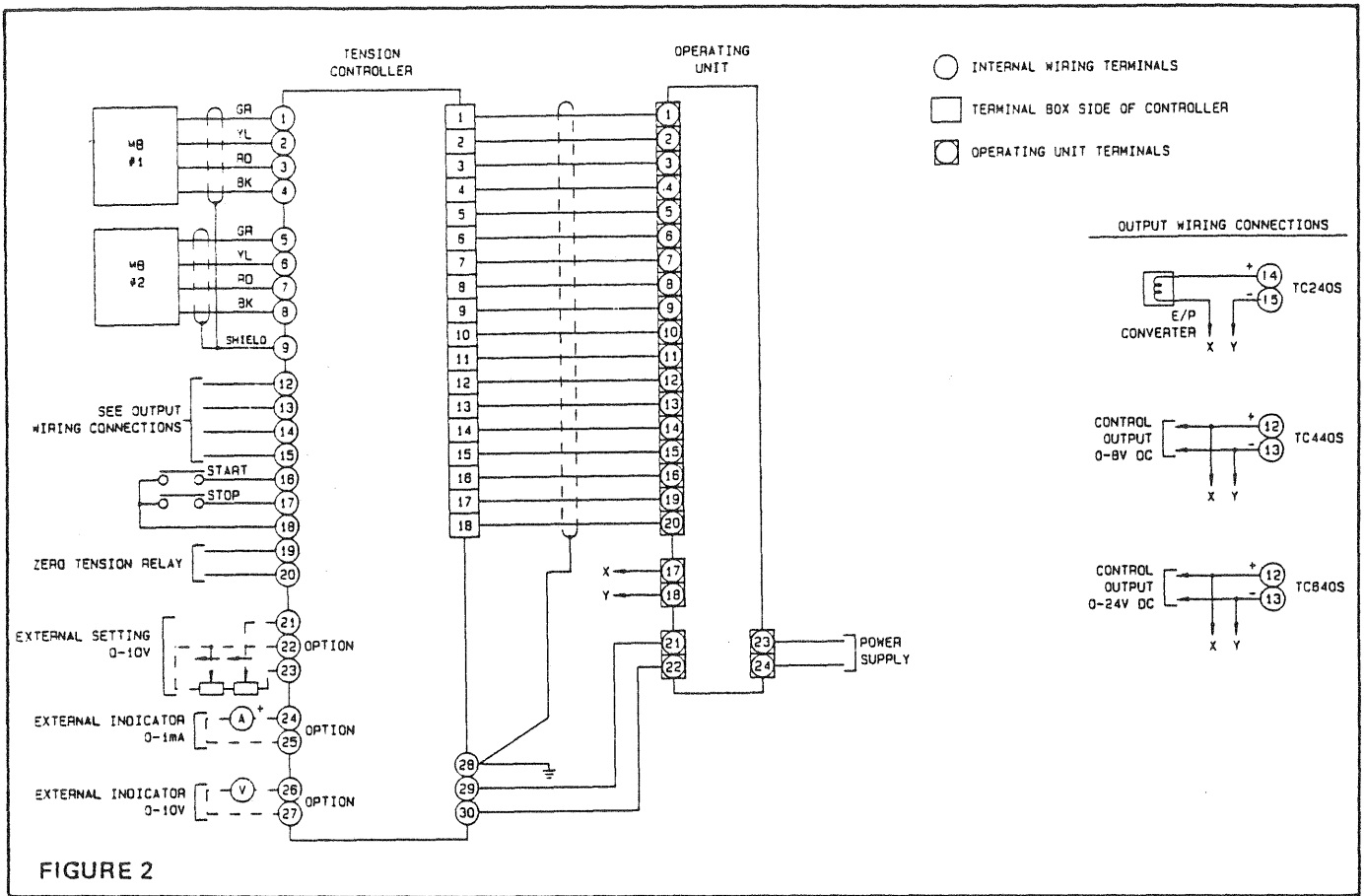


FIGURE 2

WARRANTY

Nexen warrants that its products are as described herein and will be free from defects in material and workman-ship. NEXEN MAKES NO OTHER WARRANTIES, EXPRESS OR IMPLIED, AND ALL IMPLIED WARRANTIES OF MERCHANTABILITY AND FITNESS FOR A PARTICULAR PURPOSE ARE HEREBY DISCLAIMED.

Nexen will replace, without charge, refund the purchase price or make a fair allowance for any noncompliance with the description of the products or any defect in material and workmanship demonstrated to its satisfaction to have existed at the time of delivery provided the purchaser gives Nexen written notice immediately upon delivery thereof or in any event within sixty (60) days of the delivery of the product to the purchaser. NEXEN WILL NOT BE LIABLE FOR CONSEQUENTIAL DAMAGES AND UNDER NO CIRCUMSTANCES WILL NEXEN'S LIABILITY EXCEED THE PRICE FOR DEFECTIVE GOODS.

The remedies set forth herein are exclusive and in substitution for all other remedies to which Buyer would otherwise be entitled. Nexen will be given a reasonable opportunity to investigate all claims, and no goods may be returned to Nexen until after receipt of definite shipping instructions from Nexen. Any action for breach hereof must be commenced within one (1) year after the cause of action has accrued.

nexen[™]

Nexen Group, Inc.
560 Oak Grove Parkway
Vadnais Heights, MN 55127
651 484 5900