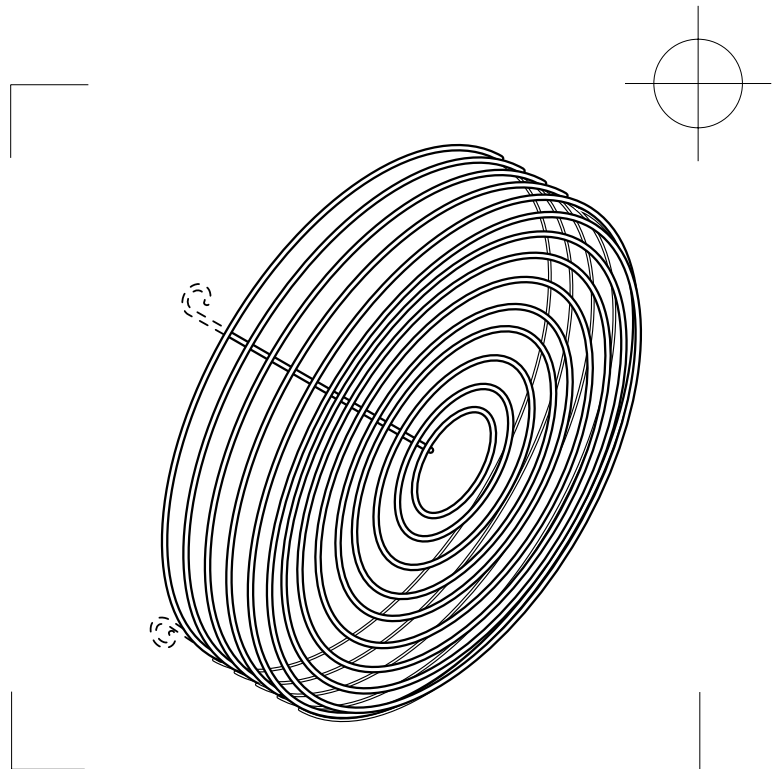


AIR CHAMP® PRODUCTS

User Manual



GUARD INSTALLATION INSTRUCTIONS

S-450, 600, 800, 1000, 1200, and 1400

T-450, 600, 800, 1000, 1200, and 1400

TSE-450, 600, 800, 1000, 1200, and 1400

FWB, LWB, MWB, and HWB

XTB-10, XTB-12, XTB-14, XTB-18, and XTB-22

TCB-7, TCB-10, TCB-14, and TCB-20

In accordance with Nexen's established policy of constant product improvement, the specifications contained in this manual are subject to change without notice. Technical data listed in this manual are based on the latest information available at the time of printing and are also subject to change without notice.

Technical Support:
800-843-7445
(651) 484-5900

www.nexengroup.com



WARNING

Read this manual carefully before installation and operation.

Follow Nexen's instructions and integrate this unit into your system with care.

This unit should be installed, operated and maintained by qualified personnel **ONLY**.

Improper installation can damage your system or cause injury or death.

Comply with all applicable codes.

Nexen Group, Inc.
560 Oak Grove Parkway
Vadnais Heights, Minnesota 55127

TABLE OF CONTENTS

Introduction	1
Installation	1
Product Numbers	2
Replacement Parts	2
Warranties	3

INTRODUCTION

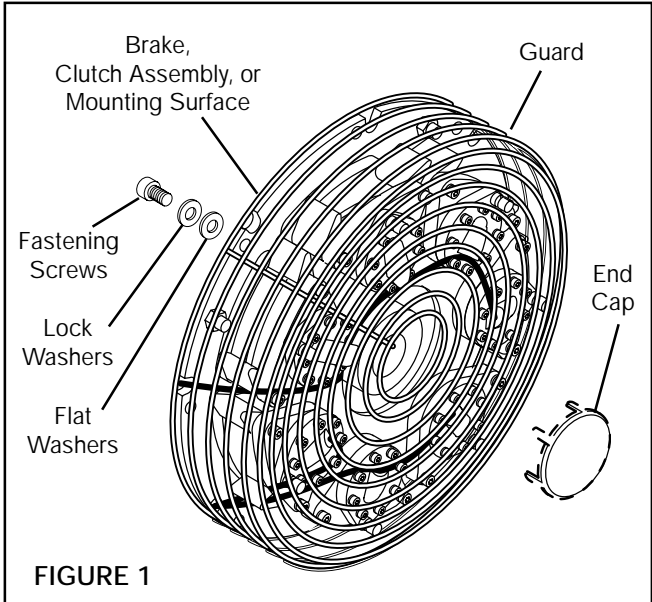
Read this manual carefully, making full use of its explanations and instructions. The “Know How” of safe, continuous, trouble-free operation depends on the degree of your understanding of the system and your willingness to keep all components in proper operating condition. Pay particular attention to all NOTES, CAUTIONS, and WARNINGS to avoid the risk of personal injury or property damage. It is important to understand that these NOTES, CAUTIONS, and WARNINGS are not exhaustive. Nexen cannot possibly know or evaluate all conceivable methods in which service may be performed, or the possible hazardous consequences of each method. Accordingly, anyone who uses a procedure that is not recommended by Nexen must first satisfy themselves that neither their safety or the safety of the product will be jeopardized by the service method selected.

CAUTION
 Per OSHA regulations, Nexen recommends using a guard that will not restrict the flow of cooling air around the unit if the unit has rotating parts. Contact your local Nexen Distributor for information about guards designed for Nexen products.

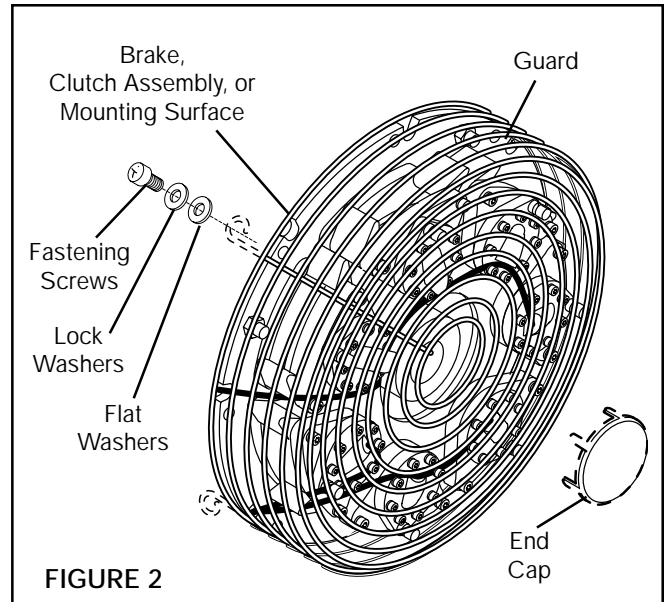
INSTALLATION

NOTE: There are two different Housing Guard configurations, If your Housing Guard is secured to the front or back side of the Brake, Clutch, or mounting surface proceed with Steps 1-4 and Figure 1. If your Housing Guard is secured to the side of the Brake, Clutch, or mounting surface proceed with Steps 4-6 and Figure 2.

1. Slide the Guard over the Brake or Clutch Assembly (See Figure 1).
2. If the Guard is shipped with an End Cap, place the End Cap over the front of the Guard and bend the tabs around the Guard to hold the End Cap in place (See Figure 1).
3. Secure the Guard to the Brake, Clutch Assembly, or mounting surface using the Fastening Screws, Lock Washers, and/or Flat Washers (See Figure 1).
4. If additional clearance is required (T & S 1200/1400), secure standoffs to Air Chamber before installing fastening screws.



4. Slide the Guard over the Brake or Clutch Assembly (See Figure 2).
5. Secure the Guard to the Brake, Clutch Assembly, or mounting surface using the Fastening Screws, Lock Washers, and/or Flat Washers (See Figure 2).
6. If the Guard is shipped with an End Cap, place the End Cap over the front of the Guard and bend the tabs around the Guard to hold the End Cap in place (See Figure 2).



PRODUCT NUMBERS

MODEL	FACE GUARD P/N
Single Rotor XTB-10	835446
Single Rotor XTB-12	835442
Single Rotor XTB-14	835443
Single Rotor XTB-18	835444
Single Rotor XTB-22	835449
Dual Rotor XTB-10	835446
Dual Rotor XTB-12	835447
Dual Rotor XTB-14	835448
Dual Rotor XTB-18	835445

MODEL	HOUSING GUARD P/N	FACE GUARD
TCB-7	835186	N/A
TCB-10	835183	835106
TCB-14	835184	835107
TCB-20	835185	835108

Model	Guard Part Number
S, T, TSE-450, and FWB	817700
S, T, TSE-600, and LWB	818300
S, T, TSE-800, and MWB	826300
S, T, TSE-1000, and HWB	828200
S, T, TSE-1200	822525
S, T, TSE-1400	822526

REPLACEMENT PARTS

The item or balloon number for all Nexen products is used for part identification on all product parts lists, product price lists, unit assembly drawings, bills of materials, and instruction manuals.

When ordering replacement parts, specify model designation, item number, part description, and quantity. Purchase replacement parts through your local Nexen Distributor.

WARRANTIES

Warranties

Nexen warrants that the Products will be free from any defects in material or workmanship for a period of 12 months from the date of shipment. NEXEN MAKES NO OTHER WARRANTY, EXPRESS OR IMPLIED, AND ALL IMPLIED WARRANTIES, INCLUDING WITHOUT LIMITATION, IMPLIED WARRANTIES OF MERCHANTABILITY AND FITNESS FOR A PARTICULAR PURPOSE ARE HEREBY DISCLAIMED. This warranty applies only if (a) the Product has been installed, used and maintained in accordance with any applicable Nexen installation or maintenance manual for the Product; (b) the alleged defect is not attributable to normal wear and tear; (c) the Product has not been altered, misused or used for purposes other than those for which it was intended; and (d) Buyer has given written notice of the alleged defect to Nexen, and delivered the allegedly defective Product to Nexen, within one year of the date of shipment.

Exclusive Remedy

The exclusive remedy of the Buyer for any breach of the warranties set out above will be, at the sole discretion of Nexen, a repair or replacement with new, serviceably used or reconditioned Product, or issuance of credit in the amount of the purchase price paid to Nexen by the Buyer for the Products.

Limitation of Nexen's Liability

TO THE EXTENT PERMITTED BY LAW NEXEN SHALL HAVE NO LIABILITY TO BUYER OR ANY OTHER PERSON FOR INCIDENTAL DAMAGES, SPECIAL DAMAGES, CONSEQUENTIAL DAMAGES OR OTHER DAMAGES OF ANY KIND OR NATURE WHATSOEVER, WHETHER ARISING OUT OF BREACH OF WARRANTY OR OTHER BREACH OF CONTRACT, NEGLIGENCE OR OTHER TORT, OR OTHERWISE, EVEN IF NEXEN SHALL HAVE BEEN ADVISED OF THE POSSIBILITY OR LIKELIHOOD OF SUCH POTENTIAL LOSS OR DAMAGE. For all of the purposes hereof, the term "consequential damages" shall include lost profits, penalties, delay images, liquidated damages or other damages and liabilities which Buyer shall be obligated to pay or which Buyer may incur based upon, related to or arising out of its contracts with its customers or other third parties. In no event shall Nexen be liable for any amount of damages in excess of amounts paid by Buyer for Products or services as to which a breach of contract has been determined to exist. The parties expressly agree that the price for the Products and the services was determined in consideration of the limitation on damages set forth herein and such limitation has been specifically bargained for and constitutes an agreed allocation of risk which shall survive the determination of any court of competent jurisdiction that any remedy herein fails of its essential purpose.

Limitation of Damages

In no event shall Nexen be liable for any consequential, indirect, incidental, or special damages of any nature whatsoever, including without limitation, lost profits arising from the sale or use of the Products.

Warranty Claim Procedures

To make a claim under this warranty, the claimant must give written notice of the alleged defect to whom the Product was purchased from and deliver the Product to same within one year of the date on which the alleged defect first became apparent.

nexen[®]

Nexen Group, Inc.
560 Oak Grove Parkway
Vadnais Heights, MN 55127

800.843.7445
Fax: 651.286.1099
www.nexengroup.com

ISO 9001 Certified