

# AIR CHAMP<sup>®</sup> PRODUCTS

User Manual



## Overlap Eliminator

In accordance with Nexen's established policy of constant product improvement, the specifications contained in this manual are subject to change without notice. Technical data listed in this manual are based on the latest information available at the time of printing and are also subject to change without notice.

Technical Support: 800-843-7445  
(651) 484-5900

[www.nexengroup.com](http://www.nexengroup.com)



# DANGER

Read this manual carefully before installation and operation.

Follow Nexen's instructions and integrate this unit into your system with care.

This unit should be installed, operated and maintained by qualified personnel **ONLY**.

Improper installation can damage your system or cause injury or death.

Comply with all applicable codes.

Nexen Group, Inc.  
560 Oak Grove Parkway  
Vadnais Heights, Minnesota 55127



## TABLE OF CONTENTS

Introduction .....	4
Installation .....	4
Operation .....	4
Lubrication .....	4
Maintenance .....	4
Parts List .....	5
Warranty .....	6

## INTRODUCTION

The Nexen Overlap Eliminator is used between a 4 or 5-way valve and a clutch-brake system to prevent a torque rise in either the clutch or brake until the alternate unit's torque has dropped to an ineffective level. The Overlap Eliminator is not considered to be necessary in a system operating below 20 psi.

## INSTALLATION

The body is provided with two 17/64" diameter holes suitable for 1/4" mounting screws. The unit can operate in any position: up, down or horizontal.

## OPERATION

Each of the six ports are tapped with 1/4" NPT threads and identified "IN" A and B, "OUT A and B, "EX" A and B. Use flexible hose and brass fittings for all air line connections. The Overlap Eliminator mounts between a 4 or 5-way valve and a clutch-brake system with the "NO" and "NC" ports

of the valve connected to the "IN" A and "IN" B ports of the Overlap Eliminator. Install mufflers (Item 7) in ports "EX" A and "EX" B. Air connection for any 4 or 5-way valve, as described in Form No. L-20019 and L-20020, does not change.

## LUBRICATION

Pneumatically actuated devices require clean, pressure regulated and lubricated air for maximum performance and long life. It is recommended that an air line filter, regulator and lubricator be used on the upstream side of all other controls.

Lubrication supplied by the air line lubricator is all that is necessary for the Overlap Eliminator.

## MAINTENANCE

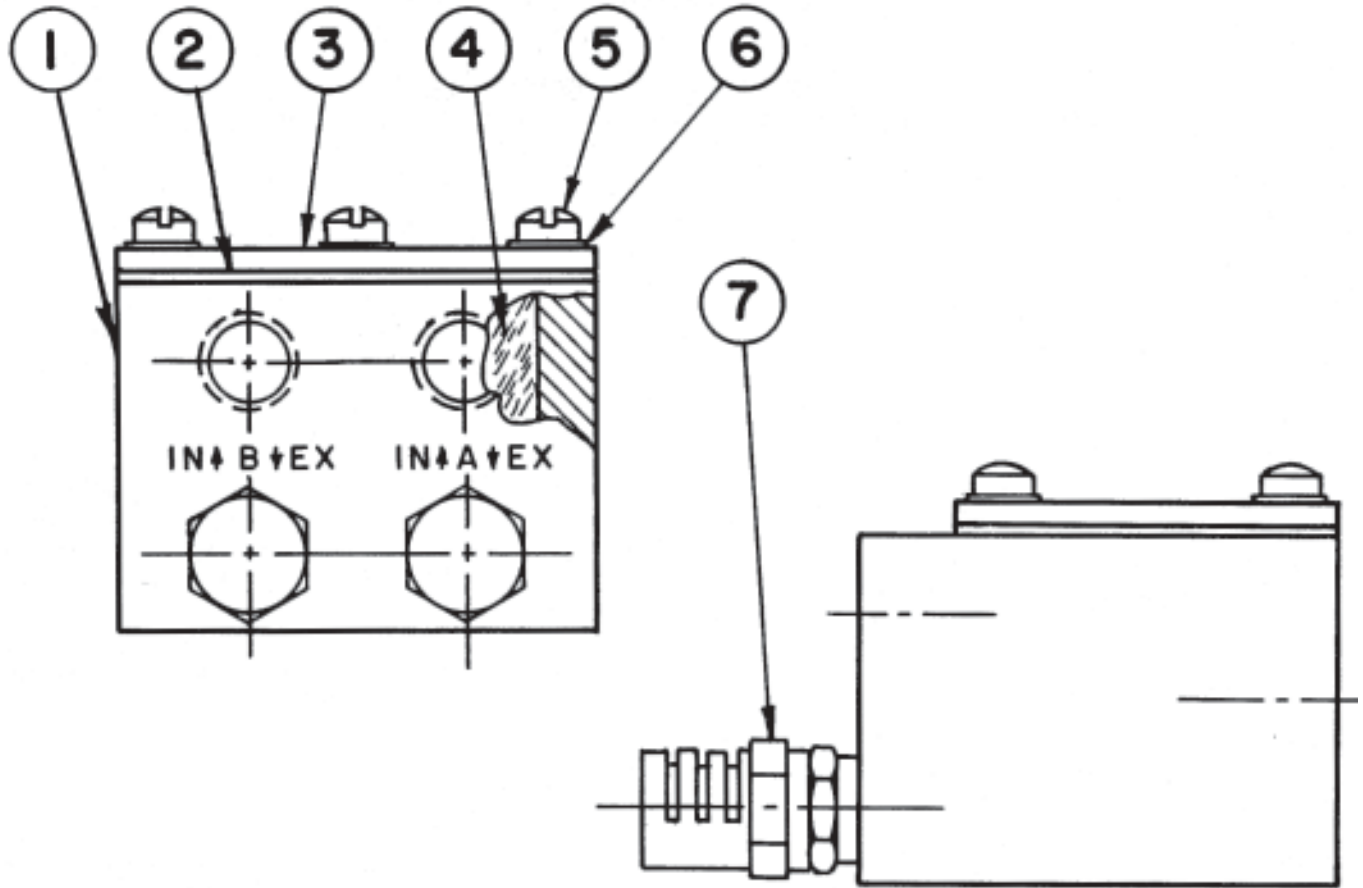
The Overlap Eliminator should not require maintenance if given clean operating conditions (Refer to Lubrication section.)

Periodically inspect the mounting screws, air line fittings and the six cover plate machine screws (Item 5) to make sure they are tightened securely.

If a malfunction occurs, inspect the other controls in the circuit. Refer to the maintenance instructions for the 4 or 5-way valve (Form No. L-20019) for complete circuit diagrams.

**PARTS LIST**

**OVERLAP ELIMINATOR**  
**PRODUCT No. 9444**  
**1/4 NPT 20-100 PSI**



**PARTS LIST**

ITEM NO.	DESCRIPTION	QUANTITY
1	Body	1
2	Logic Gasket	1
3	Logic Cover Plate	1
4	Cartridge, Poppet	2
5	Screw, Machine	6
6	Lockwasher	6
7	Muffler, 1/4 NPT	2

For replacement parts, contact your local Nexen distributor.



## WARRANTY

### Warranties

Nexen warrants that the Products will be free from any defects in material or workmanship for a period of 12 months from the date of shipment. NEXEN MAKES NO OTHER WARRANTY, EXPRESS OR IMPLIED, AND ALL IMPLIED WARRANTIES, INCLUDING WITHOUT LIMITATION, IMPLIED WARRANTIES OF MERCHANTABILITY AND FITNESS FOR A PARTICULAR PURPOSE ARE HEREBY DISCLAIMED. This warranty applies only if (a) the Product has been installed, used and maintained in accordance with any applicable Nexen installation or maintenance manual for the Product; (b) the alleged defect is not attributable to normal wear and tear; (c) the Product has not been altered, misused or used for purposes other than those for which it was intended; and (d) Buyer has given written notice of the alleged defect to Nexen, and delivered the allegedly defective Product to Nexen, within one year of the date of shipment.

### Exclusive Remedy

The exclusive remedy of the Buyer for any breach of the warranties set out above will be, at the sole discretion of Nexen, a repair or replacement with new, serviceably used or reconditioned Product, or issuance of credit in the amount of the purchase price paid to Nexen by the Buyer for the Products.

### Limitation of Nexen's Liability

TO THE EXTENT PERMITTED BY LAW NEXEN SHALL HAVE NO LIABILITY TO BUYER OR ANY OTHER PERSON FOR INCIDENTAL DAMAGES, SPECIAL DAMAGES, CONSEQUENTIAL DAMAGES OR OTHER DAMAGES OF ANY KIND OR NATURE WHATSOEVER, WHETHER ARISING OUT OF BREACH OF WARRANTY OR OTHER BREACH OF CONTRACT, NEGLIGENCE OR OTHER TORT, OR OTHERWISE, EVEN IF NEXEN SHALL HAVE BEEN ADVISED OF THE POSSIBILITY OR LIKELIHOOD OF SUCH POTENTIAL LOSS OR DAMAGE. For all of the purposes hereof, the term "consequential damages" shall include lost profits, penalties, delay images, liquidated damages or other damages and liabilities which Buyer shall be obligated to pay or which Buyer may incur based upon, related to or arising out of its contracts with its customers or other third parties. In no event shall Nexen be liable for any amount of damages in excess of amounts paid by Buyer for Products or services as to which a breach of contract has been determined to exist. The parties expressly agree that the price for the Products and the services was determined in consideration of the limitation on damages set forth herein and such limitation has been specifically bargained for and constitutes an agreed allocation of risk which shall survive the determination of any court of competent jurisdiction that any remedy herein fails of its essential purpose.

### Limitation of Damages

In no event shall Nexen be liable for any consequential, indirect, incidental, or special damages of any nature whatsoever, including without limitation, lost profits arising from the sale or use of the Products.

### Warranty Claim Procedures

To make a claim under this warranty, the claimant must give written notice of the alleged defect to whom the Product was purchased from and deliver the Product to same within one year of the date on which the alleged defect first became apparent.

**nexen**<sup>®</sup>

Nexen Group, Inc.  
560 Oak Grove Parkway  
Vadnais Heights, MN 55127

800.843.7445  
Fax: 651.286.1099  
www.nexengroup.com

ISO 9001 Certified