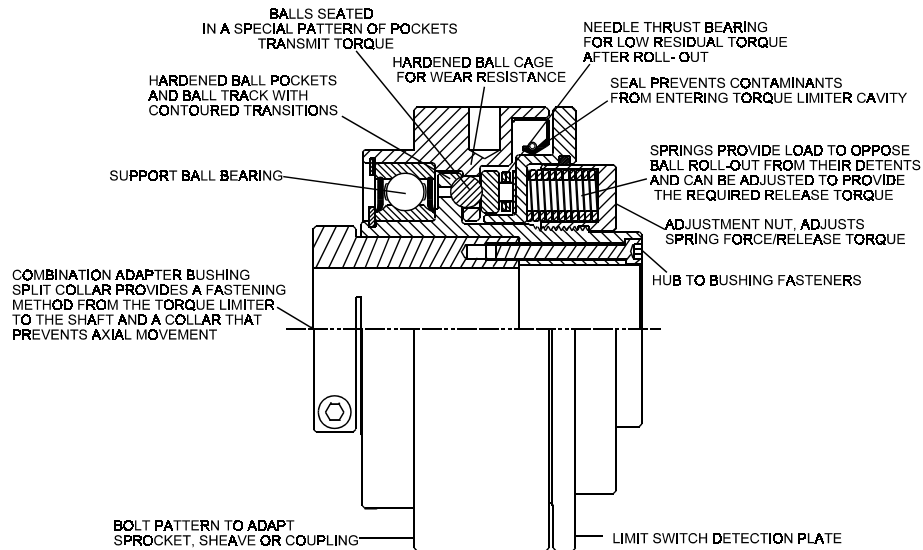


SINGLE POSITION TORQUE LIMITER OVERLOAD JAM PROTECTION

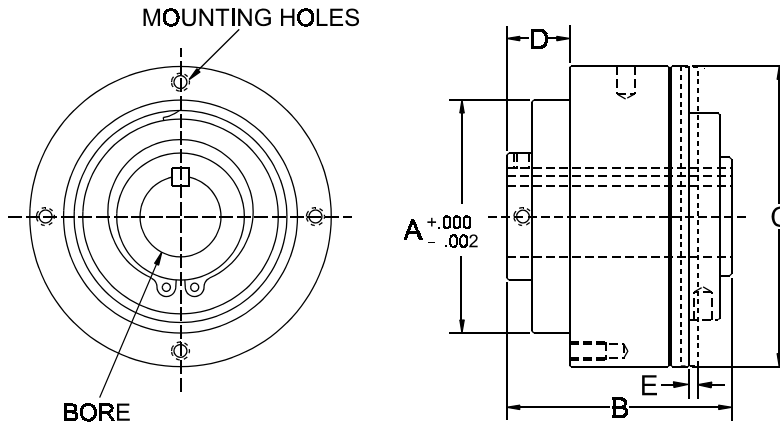


SINGLE POSITION TORQUE LIMITER

- Provides Overload Protection
- Totally Enclosed Housing
- Single Position
- Automatic Re-Engagement
- Metal Sensor Switch Plate
- Adjustable Torque Capability
- Combination Split Bushing / Lock Collar
- TLSPE Model Manufactured from Stainless Steel



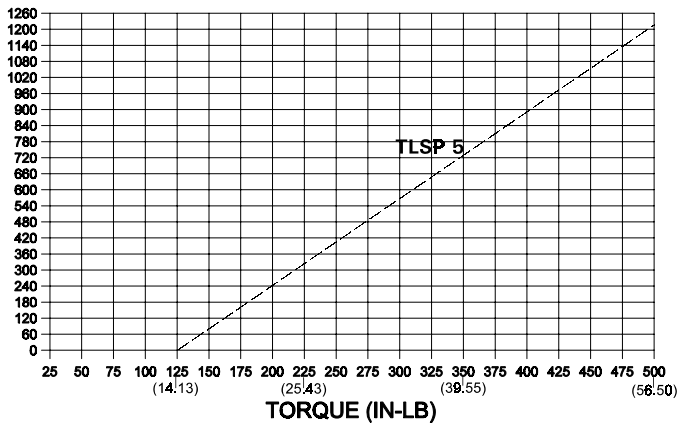
MODEL TLSP5 SINGLE POSITION TORQUE LIMITER



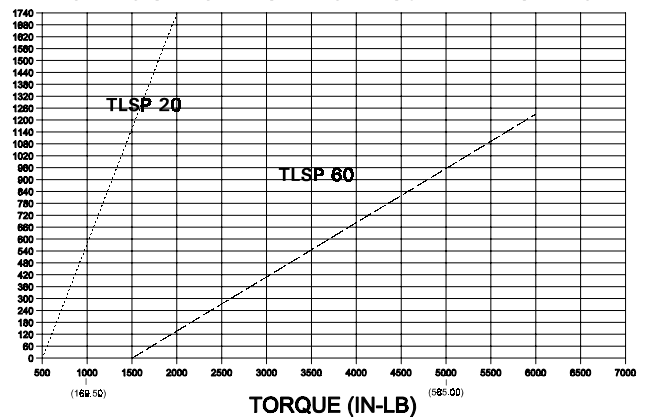
MODEL	A	B	C	D	E	MOUNTING HOLES
TLSP5	3.249 (82.525)	3.125 (79.375)	4.188 (106.375)	.875 (22.225)	.083 (2.108)	1/4-20NC X 1/4 Deep (6.350) 4 Places Equal Spaced ON 3.750 B.C.D. (95.250)

MODEL	ASSEMBLY	BORE	KEYWAY	TORQUE		MINIMUM SPROCKET		WEIGHT APPROX.	MAX. RPM
				MINIMUM	MAXIMUM	CHAIN SIZE	TEETH		
TLSP5	-1	.750/.751	3/16X3/32	125 IN-LB (14.13 Nm)	500 IN-LB (56.50 Nm)	35	40T	7 LB (3.178 Kg)	1800
	-2	.875/.876	3/16X3/32						
	-3	.938/.939	1/4X1/8						
	-4	1.000/1.001	1/4X1/8						
	-5	1.125/1.126	1/4X1/8						
	-6	1.250/1.251	1/4X1/8						
TLSP5-3		(- 30mm)	(8X7)						

ADJUSTABLE TORQUE CHART
 DEGREES OF ROTATION PAST FLUSH WITH HUB FACE

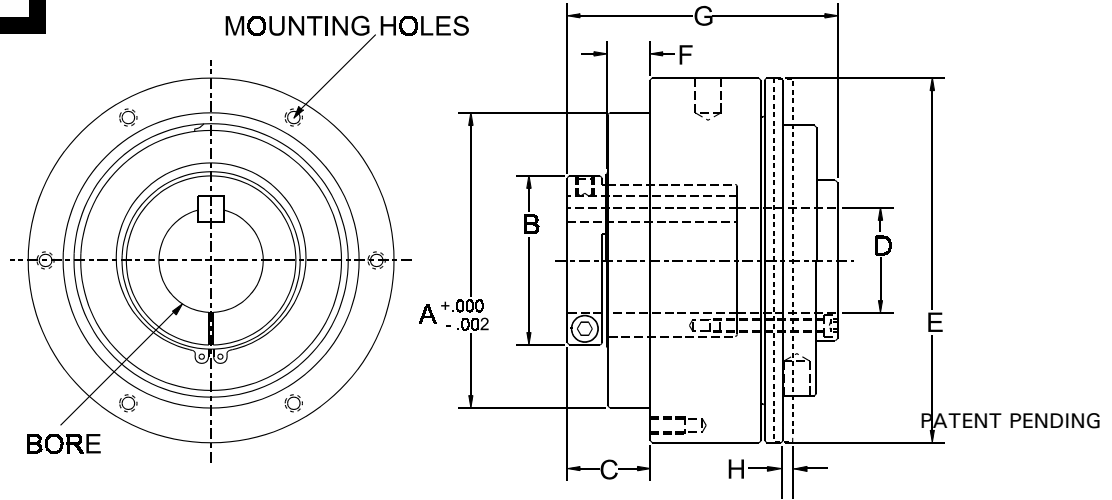


ADJUSTABLE TORQUE CHART
 DEGREES OF ROTATION PAST FLUSH WITH HUB FACE





MODEL TLSP20 / TLSP60 SINGLE POSITION TORQUE LIMITER

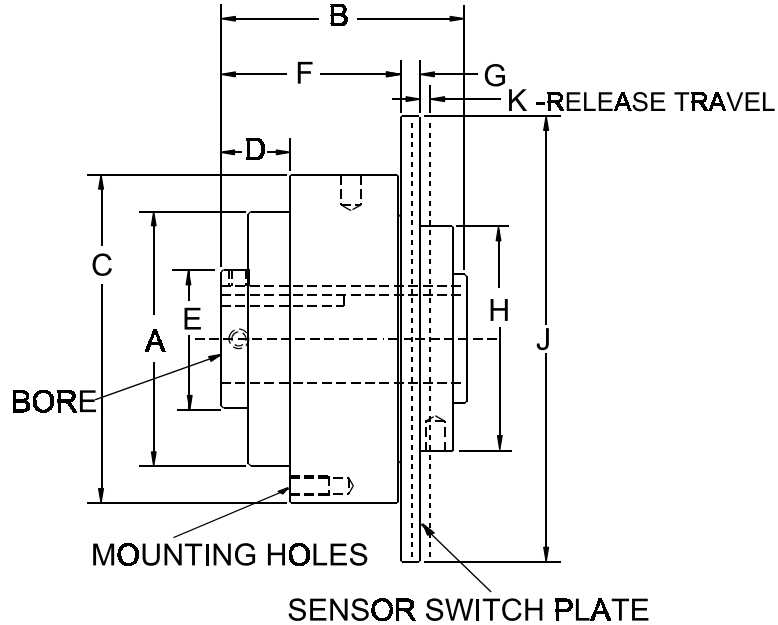


MODEL	A	B	C	D	E	F	G	H	MOUNTING HOLES
TLSP20	4.249 (107.925)	2.438 (61.925)	1.188 (30.175)	1.515 (38.481)	5.250 (133.350)	.625 (15.875)	3.875 (98.425)	.124 (3.150)	1/4-20,NC X 1/2 Dp. (12.70) 6 Plcs. Eq. Spcd. On 4.750 B.C.D. (120.650)
TLSP60	5.499 (139.675)	3.125 (79.375)	1.625 (41.275)	2.015 (51.181)	6.625 (168.275)	.750 (19.050)	4.750 (120.650)	.144 (3.658)	5/16-18,NC X 9/16 Dp. (14.275) 6 Plcs. Eq. Spcd. On 6.000 B.C.D. (152.400)

MODEL	ADAPTER BUSHING	BORE	KEYWAY	TORQUE		MINIMUM SPROCKET		WEIGHT APPROX.	MAXIMUM RPM
				MINIMUM	MAXIMUM	CHAIN SIZE	TEETH		
TLSP20	4456-1	.938/.939	1/4X1/8	500 IN-LB (56.50 Nm)	2000 IN-LB (226.00 Nm)	35	48T	11 LB (5.0 Kg)	1200
	4456-2	1.000/1.001	1/4X1/8						
	4456-3	1.125/1.126	1/4X1/8						
	4456-4	1.250/1.251	1/4X1/8						
	4456-5	1.375/1.376	5/16X5/32						
	4456-6	1.438/1.439	3/8X3/16						
TLSPM20		(24-38mm)							
TLSP60	4410-1	1.250/1.251	1/4X1/8	1500 IN-LB (169.50 Nm)	6000 IN-LB (678.00 Nm)	40	46T	20 LB (9.0 Kg)	900
	4410-2	1.375/1.376	5/16X5/32						
	4410-3	1.438/1.439	3/8X3/16						
	4410-4	1.500/1.501	3/8X3/16						
	4410-5	1.625/1.626	3/8X3/16						
	4410-6	1.750/1.751	3/8X3/16						
	4410-7	1.875/1.876	1/2X1/4						
	4410-8	1.938/1.939	1/2X1/4						
TLSPM60		(30-50mm)							



TLSP5U SINGLE POSITION TORQUE LIMITER

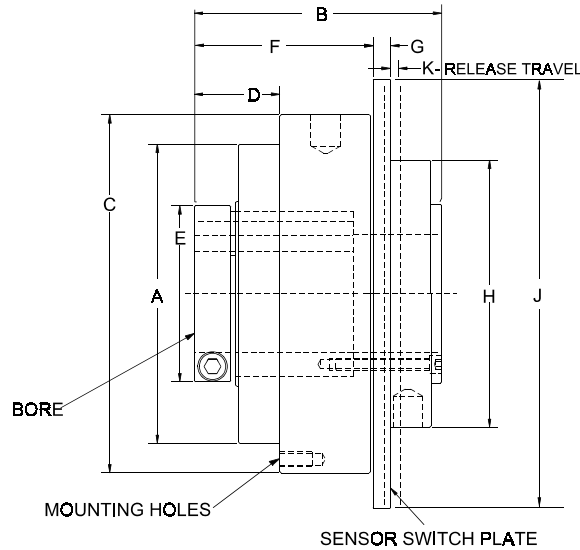


MODEL	A	B	C	D	E	F	G	H	J	K	MOUNTING HOLES
TLSP5U	3.249 (82.525)	3.125 (79.375)	4.188 (106.375)	.875 (22.225)	1.741 (44.221)	2.284 (58.014)	.250 (6.350)	2.844 (72.238)	5.688 (144.475)	.0833 (2.116)	1/4-20NC X 1/4 Dp. (6.350) 4 Plcs. Eq. Spcd. ON 3.750 B.C.D. (95.250)

MODEL	ASSEMBLY	BORE	KEYWAY	TORQUE		MINIMUM SPROCKET		WEIGHT APPROX.	MAX. RPM
				MINIMUM	MAXIMUM	CHAIN SIZE	TEETH		
TLSP5U	-4	1.000/1.001	1/4X1/8	125 IN-LB (14.125 Nm)	500 IN-LB (56.5 Nm)	35	40T	7 LB (3.2 Kg)	1800
	-5	1.125/1.126	1/4X1/8				30T		
	-6	1.250/1.251	1/4X1/8				25T		
TLSP5UM-3		(15 - 30mm)	(8X7)						



MODEL TLSP20U / TLSP60U SINGLE POSITION TORQUE LIMITER

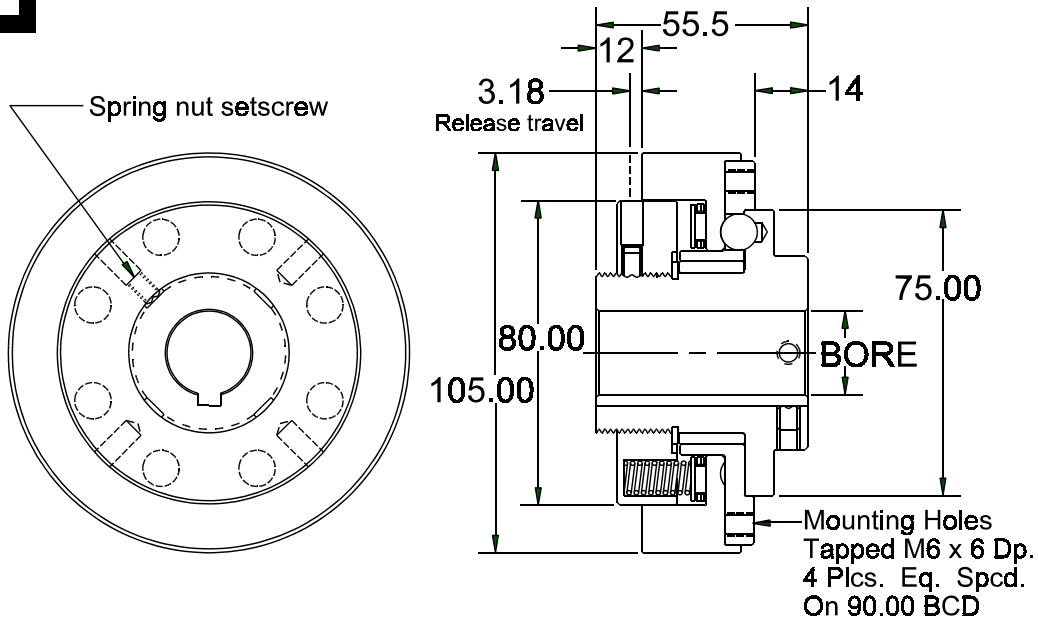


MODEL	A	B	C	D	E	F	G	H	J	K	MOUNTING HOLES
TLSP20U	4.249 (107.925)	3.875 (98.425)	5.250 (133.350)	1.188 (30.175)	2.438 (61.925)	2.830 (71.882)	.265 (6.73)	3.865 (98.171)	6.750 (171.450)	.125 (3.175)	1/4-20,NC X 1/2 Dp. (12.70) 6 Plcs. Eq. Spcd. On 4.750 B.C.D. (120.650)
TLSP60U	5.499 (139.675)	4.750 (120.650)	6.625 (168.275)	1.625 (41.275)	3.125 (79.375)	3.552 (90.221)	.312 (7.925)	4.968 (126.187)	8.125 (206.375)	.146 (3.708)	5/16-18,NC X 9/16 Dp. (14.30) 6 Plcs. Eq. Spcd. On 6.000 B.C.D. (152.400)

MODEL	ADAPTER BUSHING	BORE	KEYWAY	TORQUE		MINIMUM SPROCKET		WEIGHT APPROX.	MAXIMUM RPM
				MINIMUM	MAXIMUM	CHAIN SIZE	TEETH		
TLSP20U	4456-1	.938/.939	1/4X1/8	500 IN-LB (56.5 Nm)	2000 IN-LB (226.0 Nm)	35 40 50 60 80	48T 37T 30T 26T 20T	11 LB (5 Kg)	1200
	4456-2	1.000/1.001	1/4X1/8						
	4456-3	1.125/1.126	1/4X1/8						
	4456-4	1.250/1.251	1/4X1/8						
	4456-5	1.375/1.376	5/16X5/32						
	4456-6	1.438/1.439	3/8X3/16						
	4456-7	1.500/1.501	3/8X3/16						
TLSP20UM		(24 - 38mm)							
TLSP60U	4410-1	1.250/1.251	1/4X1/8	1500 IN-LB (169.5 Nm)	6000 IN-LB (678.0 Nm)	40 50 60 80	46T 37T 32T 25T	20 LB (9 Kg)	900
	4410-2	1.375/1.376	5/16X5/32						
	4410-3	1.438/1.439	3/8X3/16						
	4410-4	1.500/1.501	3/8X3/16						
	4410-5	1.625/1.626	3/8X3/16						
	4410-6	1.750/1.751	3/8X3/16						
	4410-7	1.875/1.876	1/2X1/4						
	4410-8	1.938/1.939	1/2X1/4						
	4410-9	2.000/2.001	1/2X1/4						
TLSP60UM		(30 - 50mm)							

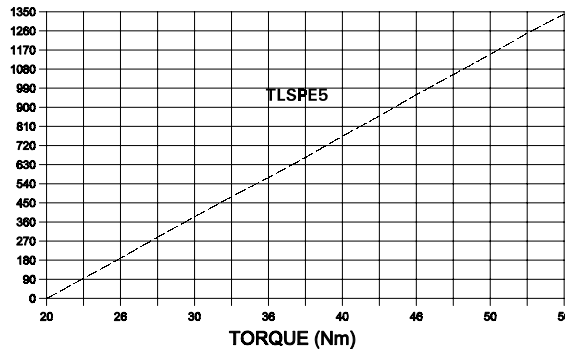


MODEL TLSPE5 STAINLESS STEEL SINGLE POSITION TORQUE LIMITER



STAINLESS STEEL SINGLE POSITION TORQUE LIMITERS

ADJUSTABLE TORQUE CHART
 DEGREES OF ROTATION PAST FLUSH WITH HUB FACE



MODEL		BORE	KEYWAY	MINIMUM TORQUE	MAXIMUM TORQUE	MINIMUM SPROCKET	WEIGHT	MAX. RPM 1800
TLSPE5	-1	22mm	(8 X 7)	175 IN-LB (20 Nm)	500 IN-LB (56 Nm)	35 - 40T 40 - 30T 50 - 25T	7 LB (3.2 Kg)	
	-2	25mm	(8 X 7)					
	-3	30mm	(8 X 7)					
	-4	1.000"	1/4 1/8					
	-5	1.125"	1/4 1/8					
	-6	1.250"	1/4 1/8					